

# PVC-U True union spring check valves CV

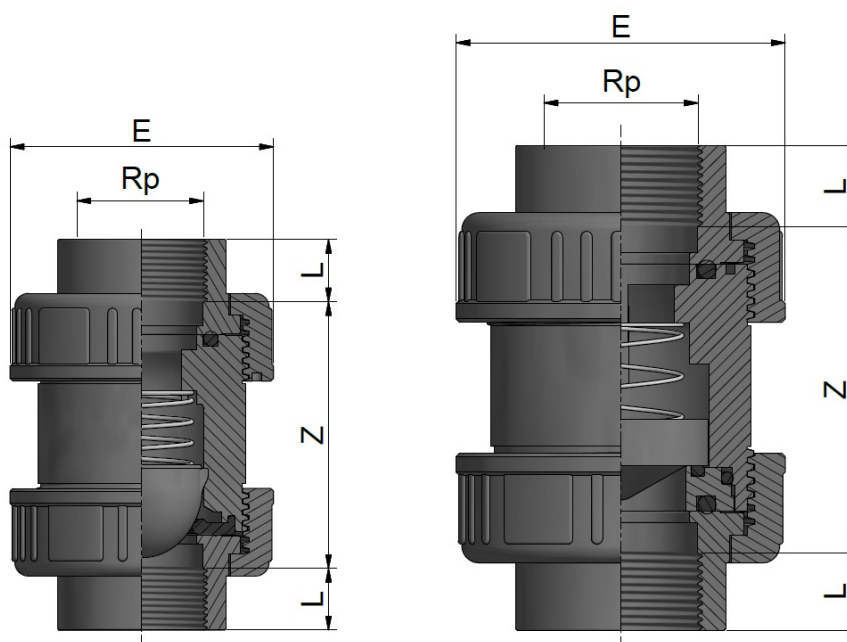
## PVC-U Valvole di ritegno bighiera a molla CV

### BSPF THREADED SOCKETS

### MANICOTTI FILETTATI BSPF

- Thread according to ISO 228-1 / *Filettatura secondo ISO 228-1*
- Spring: PTFE coated stainless steel / *Molla: acciaio inox rivestito PTFE*

Rev. Aug 2021



d.3/8"-2"



d.2"1/2-4"

Code EPDM	Code FKM	Rp	DN	L min	Z max	E	PN	Weight (g)
CERCVET016A	CERCVET015V	3/8"	15	11,4	57,2	49	16	104
CERCVET020B	CERCVET020V	1/2"	15	15	50	49	16	104
CERCVET025C	CERCVET025V	3/4"	20	16,3	59,4	60	16	170
CERCVET032D	CERCVET032V	1"	25	19,5	67	69	16	251
CERCVET040E	CERCVET040V	1"1/4	32	21,4	78,2	80	16	378
CERCVET050F	CERCVET050V	1"1/2	40	21,4	87,2	96	16	593
CERCVET063G	CERCVET063V	2"	50	25,7	98,6	116	16	1025
CERCVET075H	CERCVET075V	2"1/2	65	30,2	168,6	167	16	2800
CERCVET090I	CERCVET090V	3"	80	33,3	146,4	167	16	3000
CERCVET110I	CERCVET110I	4"	80	39,3	205,4	179	10	5000



All descriptions and illustrations in this publication are intended for guidance only and shall not constitute a 'sale by description'. All dimensions given are nominal, while changes can be done on the information, products and specifications from time to time for a variety of reasons, without prior notice. The information in this publication is provided 'as is' on the revision date stated on the sheet. Updates will not be issued automatically. This information is not intended to have any legal effect, whether by way of advice, representation or warranty (express or implied). We accept no liability whatsoever (to the extent permitted by law) if you place any reliance on this publication you must do so at your own risk. All rights reserved. Copyright in this publication belongs to Polypipe Italia and all such copyright may not be used, sold, copied or reproduced in whole or part in any manner in any media to any person without prior consent. **EFFAST** is a registered trademark.