

PVC-U Foot valves HV

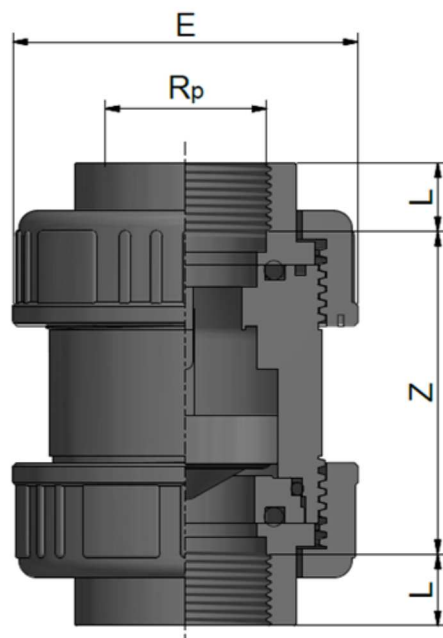
PVC-U Valvole di fondo HV

BSP THREADED SOCKETS

MANICOTTI FILETTATI BSPP

- Thread according to ISO 228-1 / *Filettatura secondo ISO 228-1*
- Seals: EPDM / *Guarnizioni: EPDM*

Rev. Feb 2020



Code EPDM	Code FKM	Rp	DN	L min	Z max	E	PN	Weight (g)
CERHVE020B	CERHVE020V	1/2"	15	15	50	49	16	110
CERHVE025C	CERHVE025V	3/4"	20	16,3	59,4	60	16	180
CERHVE032D	CERHVE032V	1"	25	19,5	67	69	16	250
CERHVE040E	CERHVE040V	1"1/4	32	21,4	78,2	80	16	380
CERHVE050F	CERHVE050V	1"1/2	40	21,4	87,2	96	16	600
CERHVE063G	CERHVE063V	2"	50	25,7	98,6	116	16	1000
CERHVE075H	CERHVE075V	2"1/2	80	30,2	168,6	167	16	2800
CERHVE090I	CERHVE090V	3"	80	33,3	146,4	167	16	3000
CERHVE110L	CERHVE110V	4"	100	39,3	205,4	179	10	5000



NSF and WRAS certifications: only for valves with EPDM seals. Certifications and approvals are related to items declared on Official Listing or certificates. /
 Certificazioni NSF e WRAS: valide solo per le valvole con guarnizioni EPDM. Le certificazioni si riferiscono ai prodotti dichiarati nelle Official Listing o sui certificati stessi.

All descriptions and illustrations in this publication are intended for guidance only and shall not constitute a 'sale by description'. All dimensions given are nominal, while changes can be done on the information, products and specifications from time to time for a variety of reasons, without prior notice. The information in this publication is provided 'as is' on the revision date stated on the sheet. Updates will not be issued automatically. This information is not intended to have any legal effect, whether by way of advice, representation or warranty (express or implied). We accept no liability whatsoever (to the extent permitted by law) if you place any reliance on this publication you must do so at your own risk. All rights reserved. Copyright in this publication belongs to Polypipe Italia and all such copyright may not be used, sold, copied or reproduced in whole or part in any manner in any media to any person without prior consent. **EFFAST** is a registered trademark."