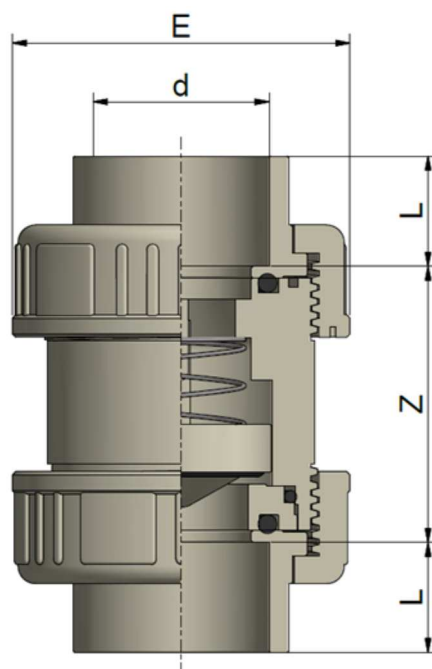


PP-H Double union spring check valves CV PP-H Valvole di non ritorno radiali a molla CV

METRIC SOCKET FUSION MANICOTTI METRICI PER SALDATURA A BICCHIERE

Rev. Nov 2019

- Spring: stainless steel / Molla: acciaio INOX
- Seals: EPDM or FKM / Guarnizioni: EPDM o FKM



Code EPDM	Code FKM	d	DN	L	Z	E	PN	Weight (g)
CHPCVH0200	CHPCVH020V	20	15	16	48	49	10	63
CHPCVH0250	CHPCVH025V	25	20	18	55	59	10	125
CHPCVH0320	CHPCVH032V	32	25	21	63	68	10	170
CHPCVH0400	CHPCVH040V	40	32	22	75	79	10	250
CHPCVH0500	CHPCVH050V	50	40	27	87	95	10	425
CHPCVH0630	CHPCVH063V	63	50	30	106	115	10	710

CE

All descriptions and illustrations in this publication are intended for guidance only and shall not constitute a 'sale by description'. All dimensions given are nominal, while changes can be done on the information, products and specifications from time to time for a variety of reasons, without prior notice. The information in this publication is provided 'as is' on the revision date stated on the sheet. Updates will not be issued automatically. This information is not intended to have any legal effect, whether by way of advice, representation or warranty (express or implied). We accept no liability whatsoever (to the extent permitted by law) if you place any reliance on this publication you must do so at your own risk. All rights reserved. Copyright in this publication belongs to Polypipe Italia and all such copyright may not be used, sold, copied or reproduced in whole or part in any manner in any media to any person without prior consent. **EFFAST** is a registered trademark."