

PVC-U Actuated butterfly valves PROFLOW® H

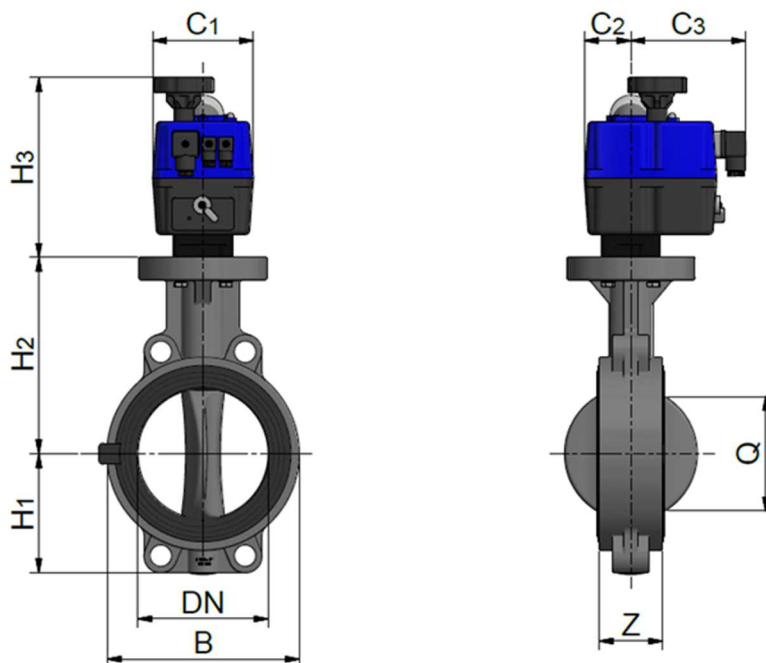
PVC-U Valvole a farfalla PROFLOW® H attuate



ELECTRICALLY ACTUATED 24-240 V AC / 24-135 V DC
COMANDO ELETTRICO 24-240 V AC / 24-135 V DC

Rev. Aug 2020

- Stem: zinc plated carbon steel / Asta: acciaio zincato AVP
- Seals: EPDM / Guarnizioni: EPDM
- Installation between EN/ISO/DIN, ANSI or JIS flanges / Installazione mediante flange EN/ISO/DIN, ANSI o JIS



Code	d	DN	Z	H1	H2	H3	C1	C2	C3	B	Q	PN	Weight (g)
FDREPFHY0750	75	65	48	80	132	169	110	51	130	134	61	10	3050
FDREPFHY0900	90	80	59	92	132	196	110	51	130	139	73	10	3750
FDREPFHY1100	110	100	59.5	106	132	196	110	51	130	150	82	10	4031
FDREPFHY1400	125/140	125	65	119	159	196	110	51	130	185	107	10	5468
FDREPFHY1600	160	150	69	130	215	254	214	107	128	210	128	10	9130
FDREPFHY2250	200/225	200	71	160	215	254	214	107	128	269	177	10	9170



NSF and WRAS certifications: only for valves with EPDM seals. Certifications and approvals are related to items declared on Official Listing or certificates. /
 Certificazioni NSF e WRAS: valide solo per le valvole con guarnizioni EPDM. Le certificazioni si riferiscono ai prodotti dichiarati nelle Official Listing o sui certificati stessi.

All descriptions and illustrations in this publication are intended for guidance only and shall not constitute a 'sale by description'. All dimensions given are nominal, while changes can be done on the information, products and specifications from time to time for a variety of reasons, without prior notice. The information in this publication is provided 'as is' on the revision date stated on the sheet. Updates will not be issued automatically. This information is not intended to have any legal effect, whether by way of advice, representation or warranty (express or implied). We accept no liability whatsoever (to the extent permitted by law) if you place any reliance on this publication you must do so at your own risk. All rights reserved. Copyright in this publication belongs to Polypipe Italia and all such copyright may not be used, sold, copied or reproduced in whole or part in any manner in any media to any person without prior consent. **EFFAST** is a registered trademark."