

PVC-U Butterfly valves PROFLOW® P

PVC-U Valvole a farfalla PROFLOW® P

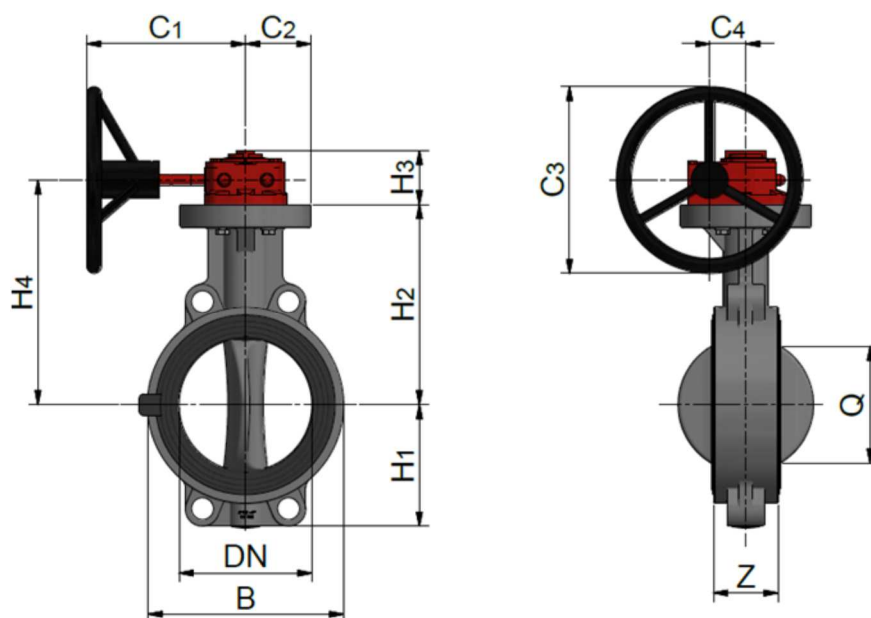


MANUAL WITH GEARBOXES

MANUALE CON VOLANTINO

Rev. Sep 2019

- Stem: stainless steel AISI 316 / *Asta: acciaio AISI 316*
- Seals: EPDM or FKM / *Guarnizioni: EPDM o FKM*
- Installation between EN/ISO/DIN, ANSI or JIS flanges / *Installazione mediante flange EN/ISO/DIN, ANSI o JIS*



Code	d	DN	Z	H1	H2	H3	H4	C1	C2	C3	C4	B	Q	PN	Weight (g)
FDRGPPF0750.CR	75	65	48	80	132	53	158,5	139	56,5	160	42,5	134	61	10	2350
FDRGPPF0900.CR	90	80	59	92	132	53	158,5	139	56,5	160	42,5	139	73	10	2550
FDRGPPF1100.CR	110	100	59,5	106	132	53	158,5	139	56,5	160	42,5	150	82	10	2831
FDRGPPF1400.CR	125/140	125	65	119	159	53	158,5	139	56,5	160	42,5	185	107	10	3668
FDRGPPF1600.CR	160	150	69	130	215	59	244,5	189	70	160	42,5	259	128	10	6268
FDRGPPF2250.CR	200/225	200	71	159	215	67	248,5	207	70	200	50	318	177	10	8350

DN 65 and 150-200: full drilled body; *DN 80-125: partially drilled body*

DN 65 e 150-200: corpo con asolatura completa; *DN 80-125: corpo con asolatura parziale*



NSF and WRAS certifications: only for valves with EPDM seals. Certifications and approvals are related to items declared on Official Listing or certificates. /
 Certificazioni NSF e WRAS: valide solo per le valvole con guarnizioni EPDM. Le certificazioni si riferiscono ai prodotti dichiarati nelle Official Listing o sui certificati stessi.

All descriptions and illustrations in this publication are intended for guidance only and shall not constitute a 'sale by description'. All dimensions given are nominal and Effast may modify and change the information, products and specifications from time to time for a variety of reasons, without prior notice. The information in this publication is provided 'as is' on the revision date stated on the sheet. Updates will not be issued automatically. This information is not intended to have any legal effect, whether by way of advice, representation or warranty (express or implied). We accept no liability whatsoever (to the extent permitted by law) if you place any reliance on this publication you must do so at your own risk. All rights reserved. Copyright in this publication belongs to Polypipe and all such copyright may not be used, sold, copied or reproduced in whole or part in any manner in any media to any person without prior consent. **EFFAST** is a registered trademark of Effast. All Polypipe products are protected by Design Right under CIPA 1988. Copyright © 2016 Polypipe. All rights reserved.

Polypipe Italia
 Loc. Pianmercato 5C-5D-5H, 16044 Cicagna (GE), Italy
 Tel: +39 0185 92399 E-mail: info@effast.com

www.effast.com