

PVC-U Butterfly valves PROFLOW® H

PVC-U Valvole a farfalla PROFLOW® H

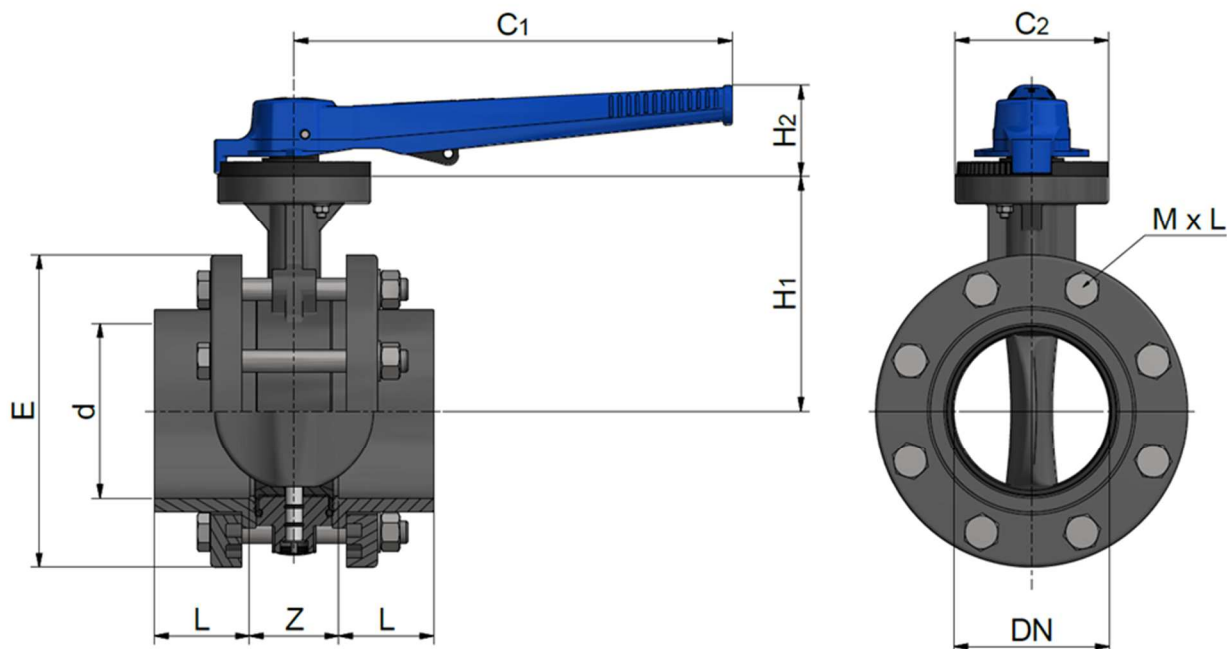


MANUAL—EN/ISO/DIN FLANGED

MANUALE—FLANGIATA EN/ISO/DIN

Rev. Sep 2019

- Stem: zinc plated carbon steel / Asta: acciaio zincato AVP
- Seals: EPDM / Guarnizioni: EPDM
- EN/ISO/DIN flanges / Flange EN/ISO/DIN



Code	d	DN	L	Z	H1	H2	E	C1	C2	n	M x L	PN	Weight (g)
FDRPFHF0750	75	65	44	58	132	63	185	246	113	4	M16 x 130	10	3844
FDRPFHF0900	90	80	52	67	132	63	200	246	113	8	M16 x 140	10	5722
FDRPFHF1100	110	100	62	67.5	132	63	220	246	113	8	M16 x 160	10	6721
FDRPFHF1250	125	125	69	77	159	63	250	246	113	8	M16 x 180	10	9390
FDRPFHF1400	140	125	78	81	159	63	250	246	113	8	M16 x 180	10	8726
FDRPFHF1600	160	150	87	81	215	83	285	400	140	8	M20 x 200	10	13686
FDRPFHF2000	200	200	106	87	215	83	340	400	140	8	M20 x 200	10	15906
FDRPFHF2250	225	200	119	87	215	83	340	400	140	8	M20 x 200	10	15520



NSF and WRAS certifications: only for valves with EPDM seals. Certifications and approvals are related to items declared on Official Listing or certificates. /
 Certificazioni NSF e WRAS: valide solo per le valvole con guarnizioni EPDM. Le certificazioni si riferiscono ai prodotti dichiarati nelle Official Listing o sui certificati stessi.

All descriptions and illustrations in this publication are intended for guidance only and shall not constitute a 'sale by description'. All dimensions given are nominal, while changes can be done on the information, products and specifications from time to time for a variety of reasons, without prior notice. The information in this publication is provided 'as is' on the revision date stated on the sheet. Updates will not be issued automatically. This information is not intended to have any legal effect, whether by way of advice, representation or warranty (express or implied). We accept no liability whatsoever (to the extent permitted by law) if you place any reliance on this publication you must do so at your own risk. All rights reserved. Copyright in this publication belongs to Polypipe Italia and all such copyright may not be used, sold, copied or reproduced in whole or part in any manner in any media to any person without prior consent. **EFFAST** is a registered trademark."