

PVC-U Actuated butterfly valves PROFLOW® H

PVC-U Valvole a farfalla PROFLOW® H attuate

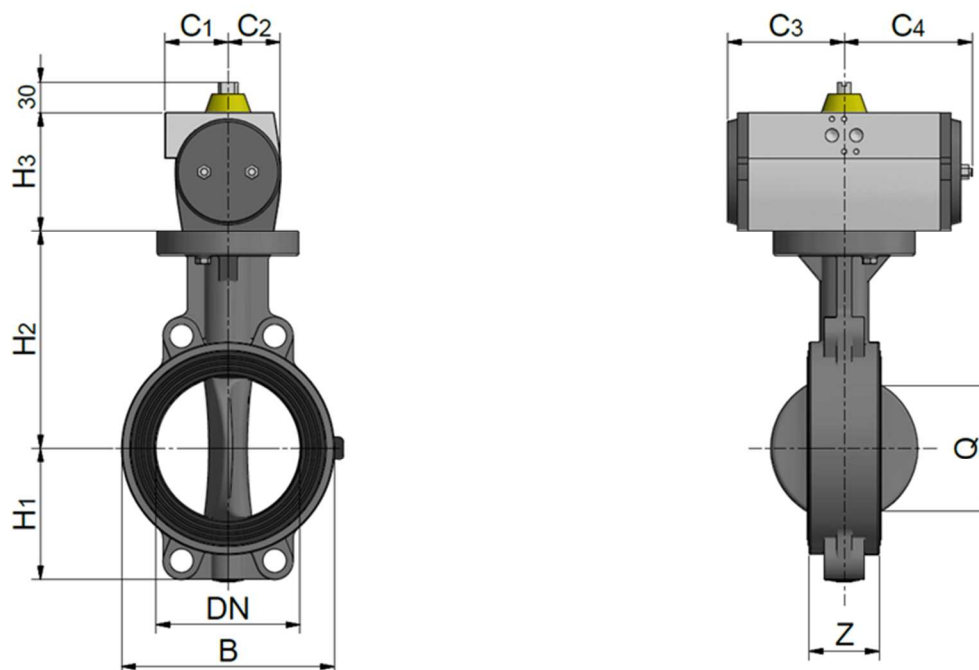


PNEUMATICALLY ACTUATED – DOUBLE ACTING

COMANDO PNEUMATICO – DOPPIO EFFETTO

Rev. Nov 2019

- Stem: zinc plated carbon steel / Asta: acciaio zincato AVP
- Seals: EPDM / Guarnizioni: EPDM
- Installation between EN/ISO/DIN, ANSI or JIS flanges / Installazione mediante flange EN/ISO/DIN, ANSI o JIS



Code	d	DN	Z	H1	H2	H3	C1	C2	C3	C4	B	Q	PN	Weight (g)
FDRPPFH075D	75	65	48	80	132	81	47	34	98,5	108,5	134	61	10	3330
FDRPPFH090D	90	80	59	92	132	81	47	34	98,5	108,5	139	73	10	3530
FDRPPFH110D	110	100	59,5	106	132	98	54	42	88,5	97,5	150	82	10	3781
FDRPPFH140D	125/140	125	65	119	159	98	54	42	119,5	128,5	185	107	10	5718
FDRPPFH160D	160	150	69	130	215	117	62	52	115	126	210	128	10	8080
FDRPPFH225D	200/225	200	71	160	215	154	66	65	123	138	269	177	10	10428



NSF and WRAS certifications: only for valves with EPDM seals. Certifications and approvals are related to items declared on Official Listing or certificates. /
 Certificazioni NSF e WRAS: valide solo per le valvole con guarnizioni EPDM. Le certificazioni si riferiscono ai prodotti dichiarati nelle Official Listing o sui certificati stessi.

All descriptions and illustrations in this publication are intended for guidance only and shall not constitute a 'sale by description'. All dimensions given are nominal, while changes can be done on the information, products and specifications from time to time for a variety of reasons, without prior notice. The information in this publication is provided 'as is' on the revision date stated on the sheet. Updates will not be issued automatically. This information is not intended to have any legal effect, whether by way of advice, representation or warranty (express or implied). We accept no liability whatsoever (to the extent permitted by law) if you place any reliance on this publication you must do so at your own risk. All rights reserved. Copyright in this publication belongs to Polypipe Italia and all such copyright may not be used, sold, copied or reproduced in whole or part in any manner in any media to any person without prior consent. **EFFAST** is a registered trademark."