

PVC-U Actuated butterfly valves PROFLOW® P

PVC-U Valvole a farfalla PROFLOW® P attuate

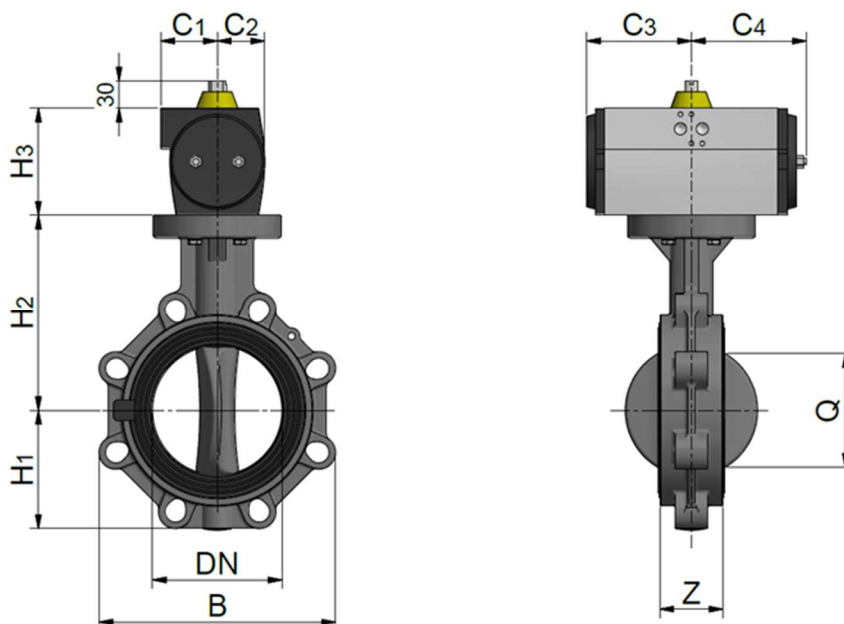


PNEUMATICALLY ACTUATED – SPRING RETURN

COMANDO PNEUMATICO – SEMPLICE EFFETTO

Rev. Dec 2019

- Standard version: “fail-to-close” / *Versione standard: normalmente chiusa*
- Stem: stainless steel AISI 316 / *Asta: acciaio AISI 316*
- Seals: EPDM or FKM / *Guarnizioni: EPDM o FKM*
- Installation between EN/ISO/DIN, ANSI or JIS flanges / *Installazione mediante flange EN/ISO/DIN, ANSI o JIS*



Code EPDM ¹	d	DN	Z	H1	H2	H3	C1	C2	C3	C4	B	Q	PN	Weight (g)
FDRPPFP075S	75	65	48	80	132	98	54	42	119,5	128,5	134	61	10	4920
FDRPPFP090S	90	80	59	92	132	117	62	52	115	126	139	73	10	6230
FDRPPFP110S	110	100	59,5	106	132	117	62	52	115	126	150	82	10	6511
FDRPPFP140S	125/140	125	65	119	159	154	66	65	123	138	185	107	10	10358
FDRPPFP160S	160	150	69	130	215	168,5	73	72	175,5	191,5	259	128	10	18178
FDRPPFP225S	200/225	200	71	159	215	202	91	90	180,5	200	318	177	10	27100

1) FKM code / *Codice FKM* : FDRPPFP***SV

DN 65 and 150-200: full drilled body; DN 80-125: partially drilled body

DN 65 e 150-200: corpo con asolatura completa; DN 80-125: corpo con asolatura parziale



NSF and WRAS certifications: only for valves with EPDM seals. Certifications and approvals are related to items declared on Official Listing or certificates. /
 Certificazioni NSF e WRAS: valide solo per le valvole con guarnizioni EPDM. Le certificazioni si riferiscono ai prodotti dichiarati nelle Official Listing o sui certificati stessi.

All descriptions and illustrations in this publication are intended for guidance only and shall not constitute a 'sale by description'. All dimensions given are nominal, while changes can be done on the information, products and specifications from time to time for a variety of reasons, without prior notice. The information in this publication is provided 'as is' on the revision date stated on the sheet. Updates will not be issued automatically. This information is not intended to have any legal effect, whether by way of advice, representation or warranty (express or implied). We accept no liability whatsoever (to the extent permitted by law) if you place any reliance on this publication you must do so at your own risk. All rights reserved. Copyright in this publication belongs to Polypipe Italia and all such copyright may not be used, sold, copied or reproduced in whole or part in any manner in any media to any person without prior consent. **EFFAST** is a registered trademark."

Polypipe Italia
 Loc. Pianmercato 5C-5D-5H, 16044 Cicagna (GE), Italy
 Tel: +39 0185 92399 E-mail: support@effast.com

www.effast.com