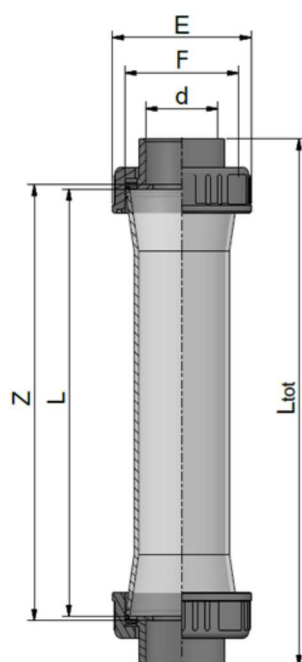


PVC-U Flowmeters

PVC-U Flussimetri

335 SERIES - PVC-U SOLVENT WELDED METRIC UNIONS SERIE 335 - BOCCHETTONI PER INCOLLAGGIO IN PVC-U

Rev. Jun 2019



Code Measuring tube PVCu	Code Measuring tube PSU	d	DN	Measuring rang H ₂ O l/h	L	Ltot	Z	F	E	PN
HDRFLU032C	HDUFLU032C	32	25	50-500	335	385	341	1"1/2	60	10
HDRFLU032D	HDUFLU032D	32	25	100-1000	335	385	341	1"1/2	60	10
HDRFLU040A	HDUFLU040A	40	32	150-1500	335	393	341	2"	72	10
HDRFLU040B	HDUFLU040B	40	32	250-2500	335	393	341	2"	72	10
HDRFLU050A	HDUFLU050A	50	40	200-2000	335	403	341	2"1/4	83	10
HDRFLU050B	HDUFLU050B	50	40	300-3000	335	403	341	2"1/4	83	10
HDRFLU050C	HDUFLU050C	50	40	600-6000	335	403	341	2"1/4	83	10
HDRFLU063B	HDUFLU063B	63	50	600-6000	335	417	341	2"3/4	103	10
HDRFLU063C	HDUFLU063C	63	50	1000-10000	335	417	341	2"3/4	103	10
HDRFLU063D	HDUFLU063D	63	50	1500-15000	335	417	341	2"3/4	103	10
HDRFLU075A	HDUFLU075A	75	65	2000-20000	335	429	341	3"1/2	122	10
HDRFLU075B	HDUFLU075B	75	65	3000-30000	335	429	341	3"1/2	122	10
HDRFLU075C	HDUFLU075C	75	65	8000-60000	335	429	341	3"1/2	122	10

All descriptions and illustrations in this publication are intended for guidance only and shall not constitute a 'sale by description'. All dimensions given are nominal, while changes can be done on the information, products and specifications from time to time for a variety of reasons, without prior notice. The information in this publication is provided 'as is' on the revision date stated on the sheet. Updates will not be issued automatically. This information is not intended to have any legal effect, whether by way of advice, representation or warranty (express or implied). We accept no liability whatsoever (to the extent permitted by law) if you place any reliance on this publication you must do so at your own risk. All rights reserved. Copyright in this publication belongs to Polypipe Italia and all such copyright may not be used, sold, copied or reproduced in whole or part in any manner in any media to any person without prior consent. **EFFAST** is a registered trademark."