

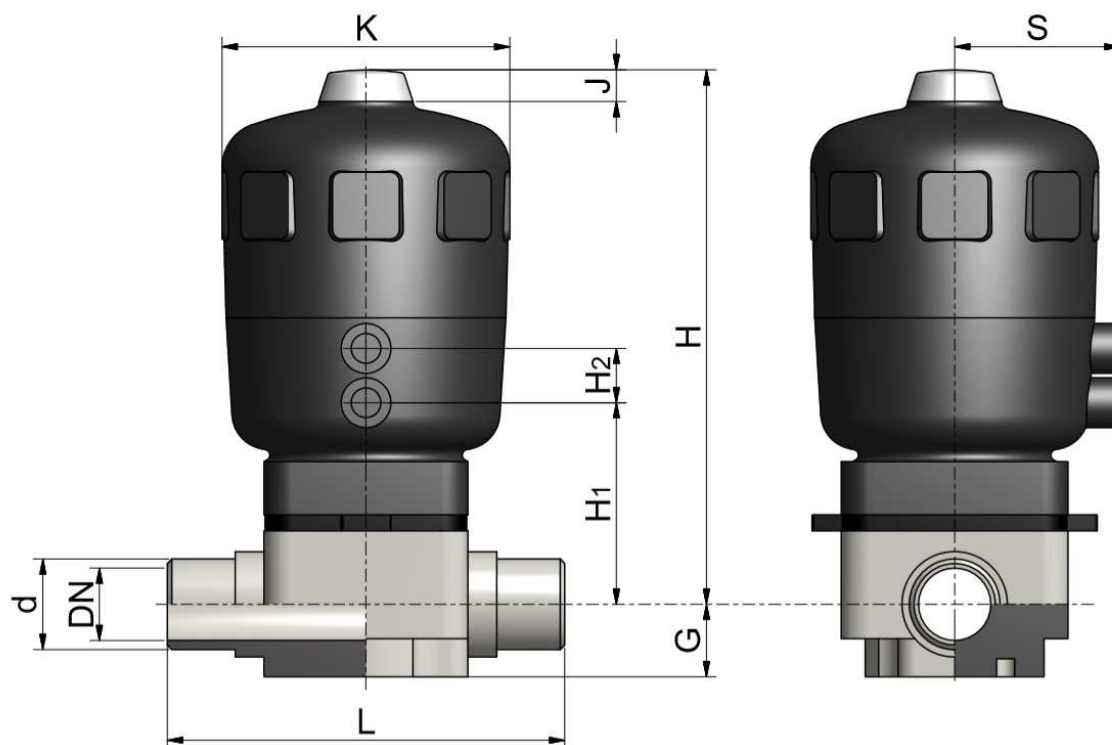
PP-H Diaphragm valves

PP-H Valvole a membrana

PNEUMATIC SPRING RETURN FAIL TO CLOSE WITH METRIC SPIGOTS

PNEUMATICA SEMPLICE EFFETTO NORMALMENTE CHIUSA CON MANICOTTI METRICI MASCHIO

Rev. Apr
2020
FN6369



Code	DN	d	L	G	H1	H2	J	K	S	PN	Weight (g)
MDHMPS020SC.E	15	20	124	21,5	64	24	11	101	60	10	2260
MDHMPS025SC.E	20	25	144	21,5	64	24	11	101	60	10	2290
MDHMPS032SC.E	25	32	154	21,5	64	24	11	101	60	10	2300
MDHMPS040SC.E	32	40	174	32	89	24	14	127	73	10	4500
MDHMPS050SC.E	40	50	194	32	89	24	14	127	73	10	4560
MDHMPS063SC.E	50	63	224	39	105	30	14	153	86	10	5800

All descriptions and illustrations in this publication are intended for guidance only and shall not constitute a 'sale by description'. All dimensions given are nominal, while changes can be done on the information, products and specifications from time to time for a variety of reasons, without prior notice. The information in this publication is provided 'as is' on the revision date stated on the sheet. Updates will not be issued automatically. This information is not intended to have any legal effect, whether by way of advice, representation or warranty (express or implied). We accept no liability whatsoever (to the extent permitted by law) if you place any reliance on this publication you must do so at your own risk. All rights reserved. Copyright in this publication belongs to Polypipe Italia and all such copyright may not be used, sold, copied or reproduced in whole or part in any manner in any media to any person without prior consent. **EFFAST** is a registered trademark."