

PP-H Diaphragm valves

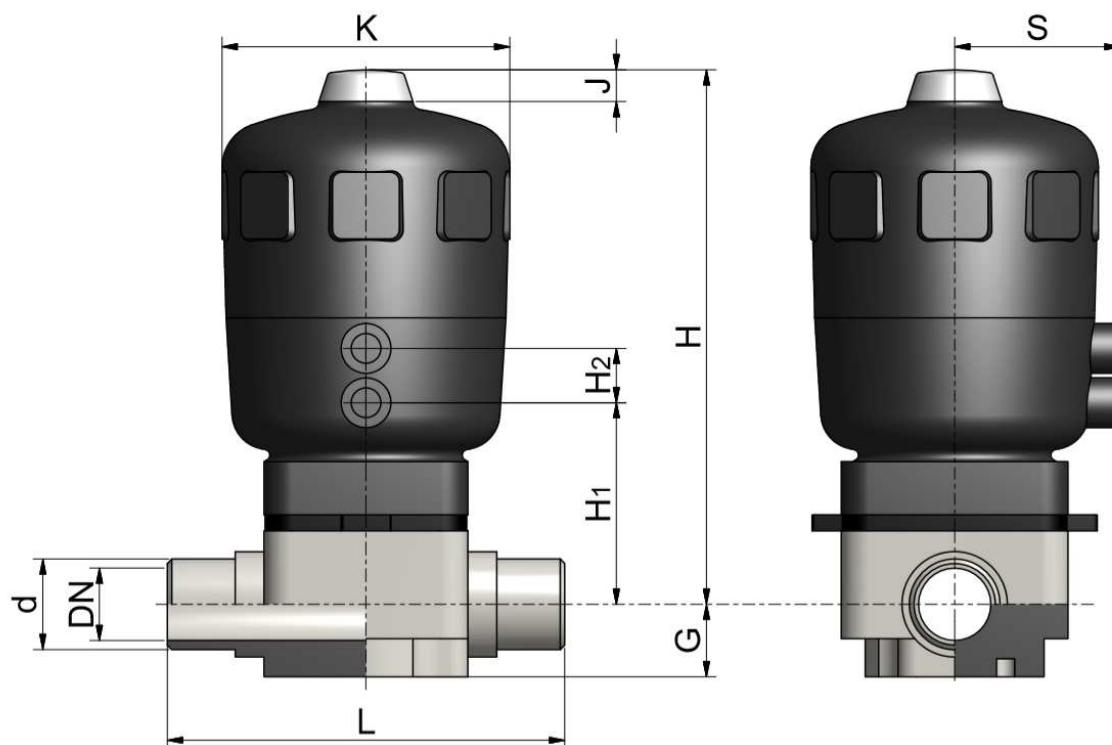
PP-H Valvole a membrana

PNEUMATIC DOUBLE ACTING WITH METRIC SPIGOTS

PNEUMATICA DOPPIO EFFETTO CON MANICOTTI METRICI MASCHIO

Rev. Apr 2020

FN6369



Code	DN	d	L	G	H1	H2	J	K	S	PN	Weight (g)
MDHMPS0200.E	15	20	124	21,5	64	24	11	101	60	10	2260
MDHMPS0250.E	20	25	144	21,5	64	24	11	101	60	10	2290
MDHMPS0320.E	25	32	154	21,5	64	24	11	101	60	10	2300
MDHMPS0400.E	32	40	174	32	89	24	14	127	73	10	4500
MDHMPS0500.E	40	50	194	32	89	24	14	127	73	10	4560
MDHMPS0630.E	50	63	224	39	98	24	14	127	73	10	8300

All descriptions and illustrations in this publication are intended for guidance only and shall not constitute a 'sale by description'. All dimensions given are nominal, while changes can be done on the information, products and specifications from time to time for a variety of reasons, without prior notice. The information in this publication is provided 'as is' on the revision date stated on the sheet. Updates will not be issued automatically. This information is not intended to have any legal effect, whether by way of advice, representation or warranty (express or implied). We accept no liability whatsoever (to the extent permitted by law) if you place any reliance on this publication you must do so at your own risk. All rights reserved. Copyright in this publication belongs to Polypipe Italia and all such copyright may not be used, sold, copied or reproduced in whole or part in any manner in any media to any person without prior consent. **EFFAST** is a registered trademark."