

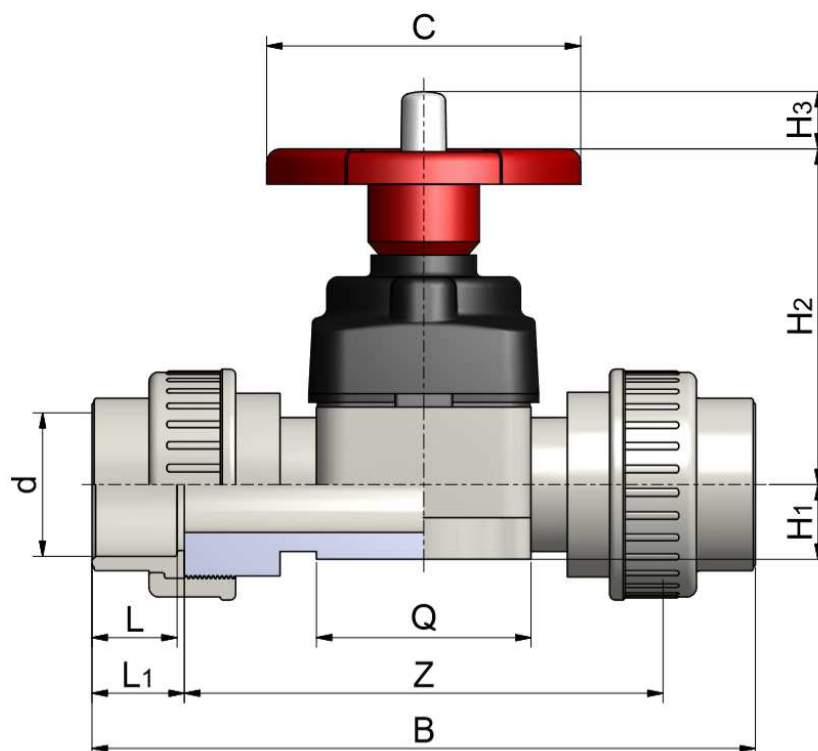
PP-H Diaphragm valves

PP-H Valvole a membrana

MANUAL WITH METRIC UNIONS MANUALE CON MANICOTTI METRICI

Rev. Apr 2020

FN6369



Code	DN	d	L	L1	Z	B	Q	H1	H2	H3	C	PN	Weight (g)
MDHMVD0200.E	15	20	16,5	22,5	142	187	75	21,5	120	13	101	10	940
MDHMVD0250.E	20	25	20	25,5	159,5	210,5	75	21,5	120	13	101	10	1070
MDHMVD0320.E	25	32	23,5	28	172	228	75	21,5	120	13	101	10	1180
MDHMVD0400.E	32	40	27,5	32	197	261	101	32	142	25	139	10	2090
MDHMVD0500.E	40	50	24,5	32	216	280	101	32	142	25	139	10	2280
MDHMVD0630.E	50	63	24,5	34,5	254	323	123	39	175	30	163	10	3700

All descriptions and illustrations in this publication are intended for guidance only and shall not constitute a 'sale by description'. All dimensions given are nominal, while changes can be done on the information, products and specifications from time to time for a variety of reasons, without prior notice. The information in this publication is provided 'as is' on the revision date stated on the sheet. Updates will not be issued automatically. This information is not intended to have any legal effect, whether by way of advice, representation or warranty (express or implied). We accept no liability whatsoever (to the extent permitted by law) if you place any reliance on this publication you must do so at your own risk. All rights reserved. Copyright in this publication belongs to Polypipe Italia and all such copyright may not be used, sold, copied or reproduced in whole or part in any manner in any media to any person without prior consent. **EFFAST** is a registered trademark."