

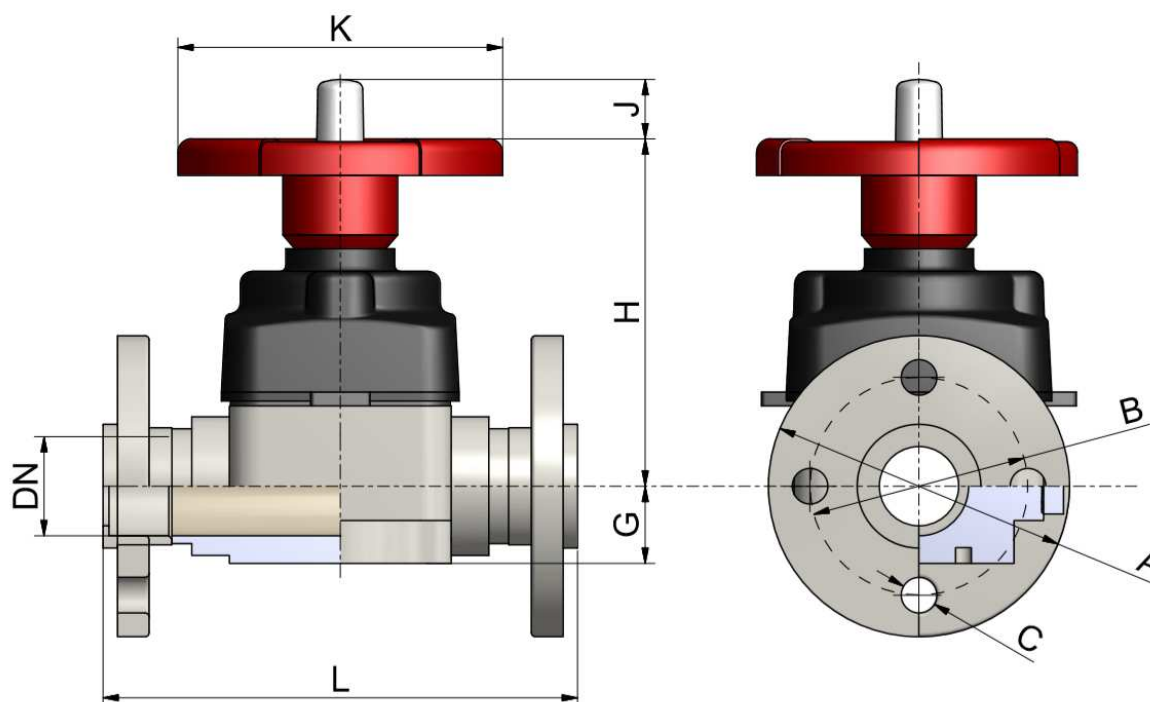
PP-H Diaphragm valves

PP-H Valvole a membrana

MANUAL DIN FLANGED

MANUALE FLANGIATA DIN

Rev. Apr 2020
FN6369



Code	DN	d	L	G	H	J	K	A	B	C	PN	Weight (g)
MDHMF0200.E	15	20	131	21,5	120	13	101	95	65	14	10	840
MDHMF0250.E	20	25	150	21,5	120	13	101	105	75	14	10	920
MDHMF0320.E	25	32	161	21,5	120	13	101	115	85	14	10	980
MDHMF0400.E	32	40	181	32	142	25	139	140	100	18	10	1760
MDHMF0500.E	40	50	201	32	142	25	139	150	110	18	10	1850
MDRMVF0630.E	50	63	231	39	175	30	163	165	125	18	10	3090

All descriptions and illustrations in this publication are intended for guidance only and shall not constitute a 'sale by description'. All dimensions given are nominal, while changes can be done on the information, products and specifications from time to time for a variety of reasons, without prior notice. The information in this publication is provided 'as is' on the revision date stated on the sheet. Updates will not be issued automatically. This information is not intended to have any legal effect, whether by way of advice, representation or warranty (express or implied). We accept no liability whatsoever (to the extent permitted by law) if you place any reliance on this publication you must do so at your own risk. All rights reserved. Copyright in this publication belongs to Polypipe Italia and all such copyright may not be used, sold, copied or reproduced in whole or part in any manner in any media to any person without prior consent. **EFFAST** is a registered trademark."