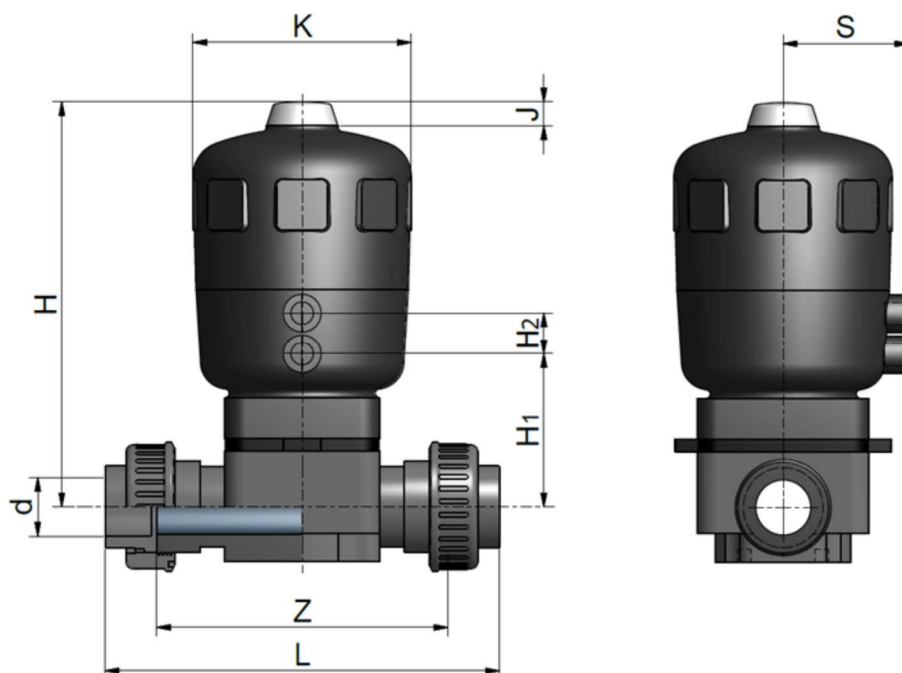


**PVC-U Diaphragm valves**  
**PVC-U Valvole a membrana**

**PNEUMATIC SPRING RETURN FAIL TO CLOSE WITH METRIC UNIONS**  
**PNEUMATICA SEMPLICE EFFETTO NORMALMENTE CHIUSA CON MANICOTTI METRICI**

Rev. Jul 2019  
 FN6369



Code	DN	d	L	Z	H	H1	H2	J	K	S	PN	Weight (g)
MDRMPD020SC.E	15	20	184	142	174	64	24	11	101	60	10	1500
MDRMPD025SC.E	20	25	209	159,2	174	64	24	11	101	60	10	1500
MDRMPD032SC.E	25	32	225	172	174	64	24	11	101	60	10	1500
MDRMPD040SC.E	32	40	259	197	236	89	24	14	127	73	10	3000
MDRMPD050SC.E	40	50	291	216	236	89	24	14	127	73	10	3000
MDRMPD063SC.E	50	63	342	254	283	105	30	14	153	86	10	3500

All descriptions and illustrations in this publication are intended for guidance only and shall not constitute a 'sale by description'. All dimensions given are nominal, while changes can be done on the information, products and specifications from time to time for a variety of reasons, without prior notice. The information in this publication is provided 'as is' on the revision date stated on the sheet. Updates will not be issued automatically. This information is not intended to have any legal effect, whether by way of advice, representation or warranty (express or implied). We accept no liability whatsoever (to the extent permitted by law) if you place any reliance on this publication you must do so at your own risk. All rights reserved. Copyright in this publication belongs to Polypipe Italia and all such copyright may not be used, sold, copied or reproduced in whole or part in any manner in any media to any person without prior consent. **EFFAST** is a registered trademark."