

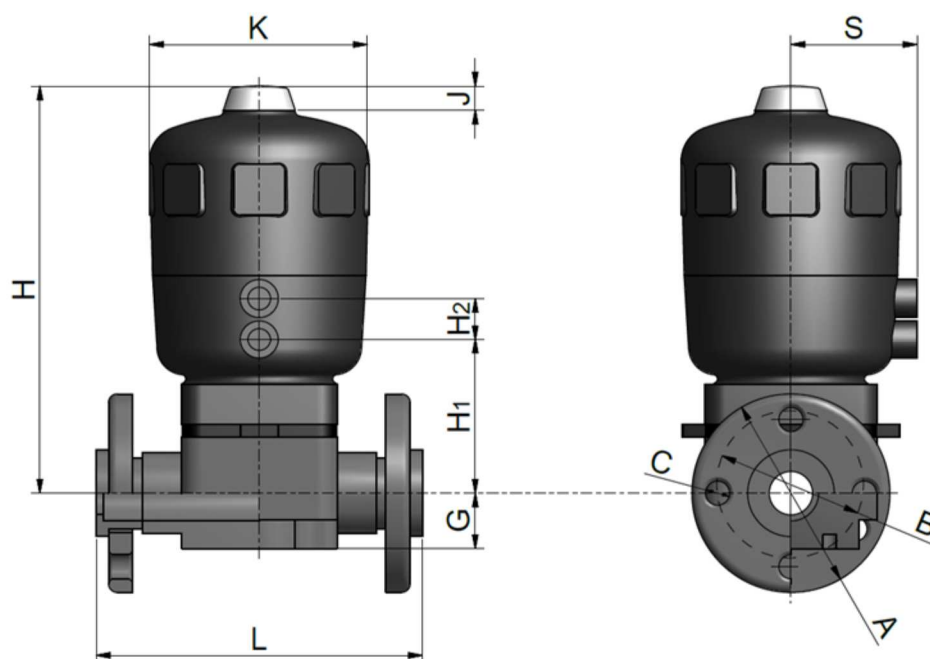
## PVC-U Diaphragm valves

### PVC-U Valvole a membrana

#### PNEUMATIC DOUBLE ACTING EN/ISO/DIN FLANGED

#### PNEUMATICA DOPPIO EFFETTO FLANGIATA EN/ISO/DIN

Rev. Jul 2019  
FN6369



Code	DN	d	L	H	H1	H2	G	J	K	S	A	B	C	PN	Weight (g)
MDRMPF0200.E	15	20	131	174	64	24	21,5	11	101	60	95	65	14	10	1920
MDRMPF0200.E	20	25	151	174	64	24	21,5	11	101	60	105	75	14	10	2040
MDRMPF0320.E	25	32	162	174	64	24	21,5	11	101	60	115	85	14	10	2120
MDRMPF0400.E	32	40	181	236	89	24	32	14	127	73	140	100	18	10	4200
MDRMPF0500.E	40	50	201	236	89	24	32	14	127	73	150	110	18	10	4300
MDRMPF0630.E	50	63	232	245	98	24	39	14	127	73	165	125	18	10	6400

All descriptions and illustrations in this publication are intended for guidance only and shall not constitute a 'sale by description'. All dimensions given are nominal, while changes can be done on the information, products and specifications from time to time for a variety of reasons, without prior notice. The information in this publication is provided 'as is' on the revision date stated on the sheet. Updates will not be issued automatically. This information is not intended to have any legal effect, whether by way of advice, representation or warranty (express or implied). We accept no liability whatsoever (to the extent permitted by law) if you place any reliance on this publication you must do so at your own risk. All rights reserved. Copyright in this publication belongs to Polypipe Italia and all such copyright may not be used, sold, copied or reproduced in whole or part in any manner in any media to any person without prior consent. **EFFAST** is a registered trademark."