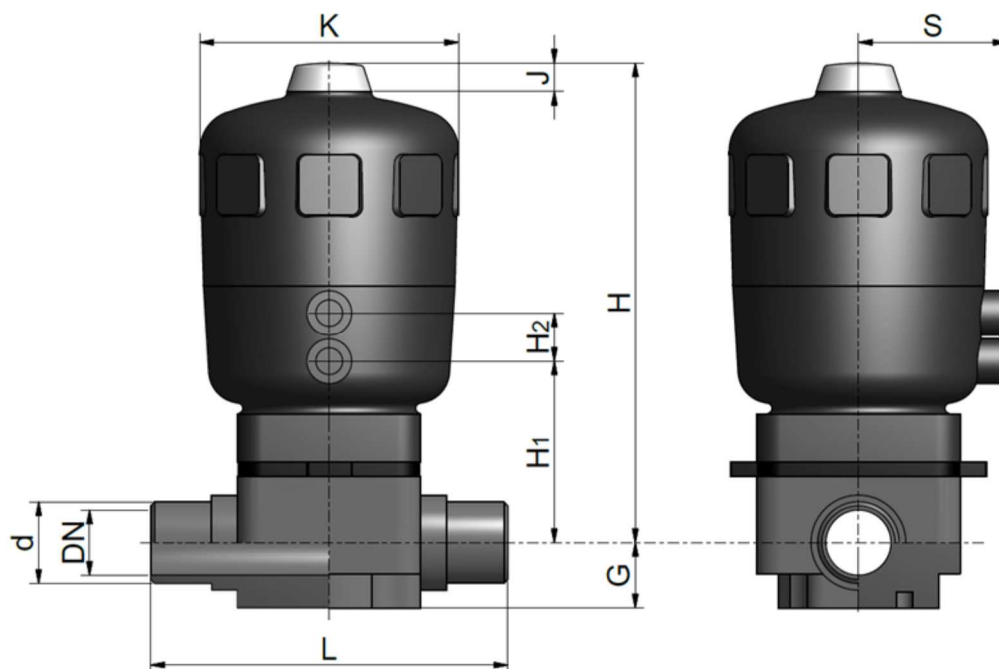


**PVC-U Diaphragm valves**  
**PVC-U Valvole a membrana**

**PNEUMATIC DOUBLE ACTING WITH METRIC SPIGOTS**  
**PNEUMATICA DOPPIO EFFETTO CON MANICOTTI METRICI MASCHIO**

Rev. Jul 2019  
 FN6369



Code	DN	d	L	H	H1	H2	G	J	K	S	PN	Weight (g)
MDRMPS0200.E	15	20	124	174	64	24	21,5	11	101	60	10	2260
MDRMPS0250.E	20	25	144	174	64	24	21,5	11	101	60	10	2290
MDRMPS0320.E	25	32	154	174	64	24	21,5	11	101	60	10	2300
MDRMPS0400.E	32	40	174	236	89	24	32	14	127	73	10	4500
MDRMPS0500.E	40	50	194	236	89	24	32	14	127	73	10	4560
MDRMPS0630.E	50	63	224	245	98	24	39	14	153	86	10	8300

All descriptions and illustrations in this publication are intended for guidance only and shall not constitute a 'sale by description'. All dimensions given are nominal, while changes can be done on the information, products and specifications from time to time for a variety of reasons, without prior notice. The information in this publication is provided 'as is' on the revision date stated on the sheet. Updates will not be issued automatically. This information is not intended to have any legal effect, whether by way of advice, representation or warranty (express or implied). We accept no liability whatsoever (to the extent permitted by law) if you place any reliance on this publication you must do so at your own risk. All rights reserved. Copyright in this publication belongs to Polypipe Italia and all such copyright may not be used, sold, copied or reproduced in whole or part in any manner in any media to any person without prior consent. **EFFAST** is a registered trademark."