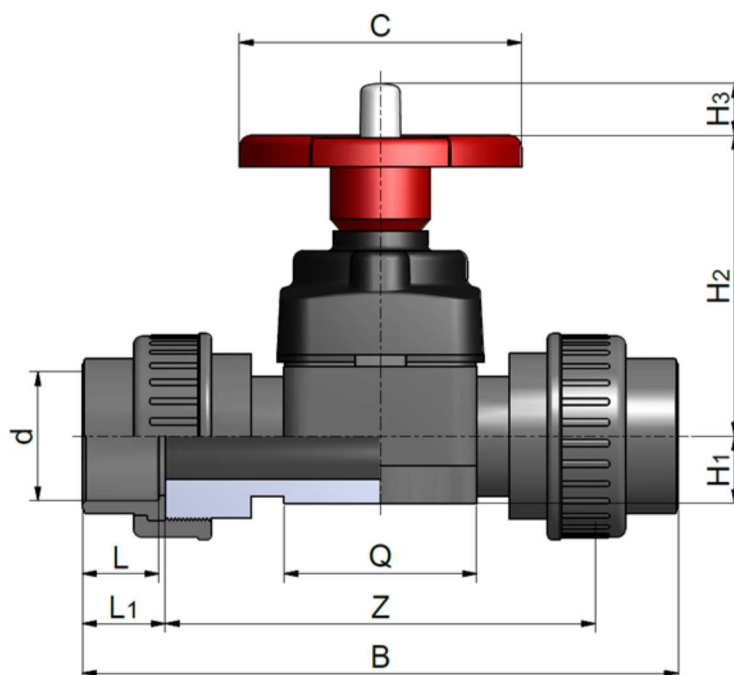


PVC-U Diaphragm valves
PVC-U Valvole a membrana

MANUAL WITH METRIC UNIONS
MANUALE CON MANICOTTI METRICI

Rev. Jul 2019
 FN6369



Code	DN	d	L	L1	Z	B	H1	H2	H3	C	Q	PN	Weight (g)
MDRMVD0200.E	15	20	16.5	22.5	142	184	21.5	120	13	101	75	10	850
MDRMVD0250.E	20	25	20	25.5	159.5	208.5	21.5	120	13	101	75	10	870
MDRMVD0320.E	25	32	23.5	28	172	225	21.5	120	13	101	75	10	900
MDRMVD0400.E	32	40	27.5	32	197	259	32	142	25	139	101	10	1800
MDRMVD0500.E	40	50	24.5	32	216	291	32	142	25	139	101	10	1960
MDRMVD0630.E	50	63	24.5	34.5	254	342	39	175	30	163	123	10	2900

All descriptions and illustrations in this publication are intended for guidance only and shall not constitute a 'sale by description'. All dimensions given are nominal, while changes can be done on the information, products and specifications from time to time for a variety of reasons, without prior notice. The information in this publication is provided 'as is' on the revision date stated on the sheet. Updates will not be issued automatically. This information is not intended to have any legal effect, whether by way of advice, representation or warranty (express or implied). We accept no liability whatsoever (to the extent permitted by law) if you place any reliance on this publication you must do so at your own risk. All rights reserved. Copyright in this publication belongs to Polypipe Italia and all such copyright may not be used, sold, copied or reproduced in whole or part in any manner in any media to any person without prior consent. **EFFAST** is a registered trademark.