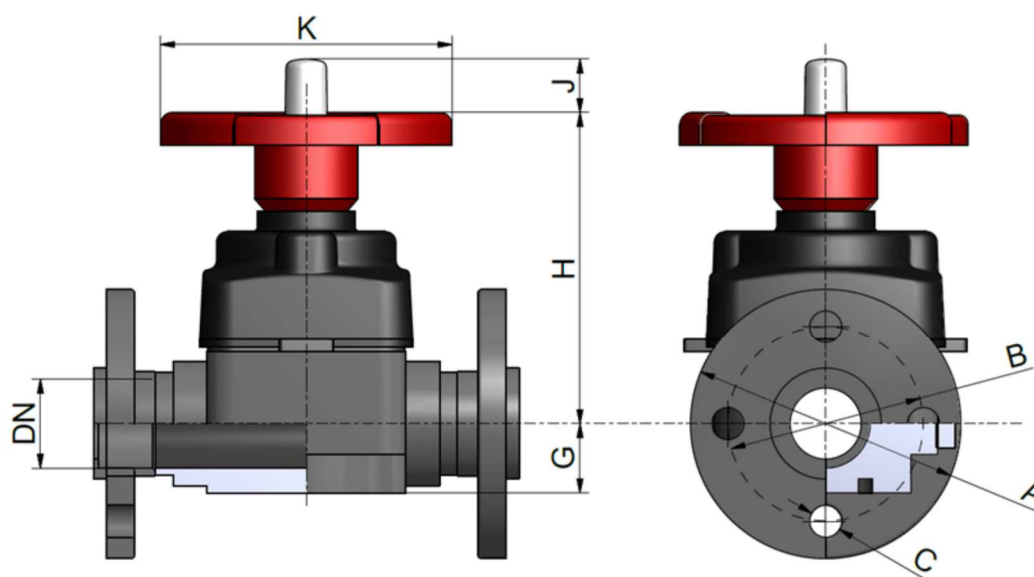


PVC-U Diaphragm valves

PVC-U Valvole a membrana

MANUAL FLANGED MANUALE FLANGIATA

Rev. Jul 2019
FN6369



Code	DN	d	G	H	J	K	A	B	C	PN	Weight (g)
MDRMVF0200.E	15	20	21,5	120	13	101	95	65	14	10	1020
MDRMVF0250.E	20	25	21,5	120	13	101	105	75	14	10	1140
MDRMVF0320.E	25	32	21,5	120	13	101	115	85	14	10	1220
MDRMVF0400.E	32	40	32	142	25	139	140	100	18	10	2200
MDRMVF0500.E	40	50	32	142	25	139	150	110	18	10	2300
MDRMVF0630.E	50	63	32	142	30	163	165	125	18	10	3900

All descriptions and illustrations in this publication are intended for guidance only and shall not constitute a 'sale by description'. All dimensions given are nominal, while changes can be done on the information, products and specifications from time to time for a variety of reasons, without prior notice. The information in this publication is provided 'as is' on the revision date stated on the sheet. Updates will not be issued automatically. This information is not intended to have any legal effect, whether by way of advice, representation or warranty (express or implied). We accept no liability whatsoever (to the extent permitted by law) if you place any reliance on this publication you must do so at your own risk. All rights reserved. Copyright in this publication belongs to Polypipe Italia and all such copyright may not be used, sold, copied or reproduced in whole or part in any manner in any media to any person without prior consent. **EFFAST** is a registered trademark."