

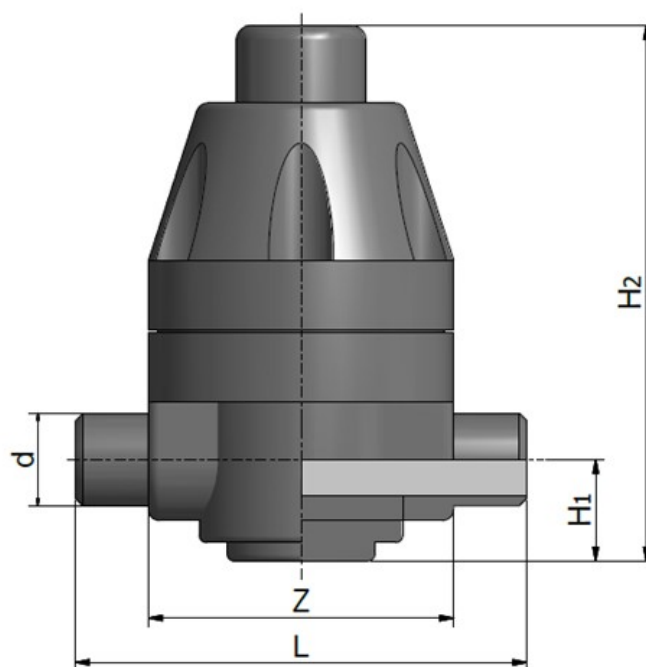
PVC-U Pressure reducer valves

PVC-U Valvole di regolazione della pressione

MANUAL WITH METRIC SPIGOTS

MANUALE CON MANICOTTI METRICI MASCHIO

Rev. Jun 2019



Code EPDM	Code PTFE	DN	d	L	Z	H1	H2	PN	Weight (g)
MDRMVM0160.E	MDRMVM016P.E	15	16	134	83	20	137	10	400
MDRMVM0200.E	MDRMVM020P.E	15	20	134	83	20	137	10	400
MDRMVM0250.E	MDRMVM025P.E	20	25	134	83	20	137	10	400
MDRMVM0320.E	MDRMVM032P.E	25	32	174	112	27	199	10	1200
MDRMVM0400.E	MDRMVM040P.E	32	40	174	112	27	199	10	1200
MDRMVM0500.E	MDRMVM050P.E	40	50	224	165	43	290	10	6400
MDRMVM0630.E	MDRMVM063P.E	50	63	224	165	43	290	10	6500
MDRMVM0750.E	MDRMVM075P.E	65	75	284	180	-	275	6	7700
MDRMVM0900.E	MDRMVM090P.E	80	90	360	200	-	410	6	17700
MDRMVM1100.E	MDRMVM110P.E	100	110	380	250	-	485	4	19600

All descriptions and illustrations in this publication are intended for guidance only and shall not constitute a 'sale by description'. All dimensions given are nominal, while changes can be done on the information, products and specifications from time to time for a variety of reasons, without prior notice. The information in this publication is provided 'as is' on the revision date stated on the sheet. Updates will not be issued automatically. This information is not intended to have any legal effect, whether by way of advice, representation or warranty (express or implied). We accept no liability whatsoever (to the extent permitted by law) if you place any reliance on this publication you must do so at your own risk. All rights reserved. Copyright in this publication belongs to Polypipe Italia and all such copyright may not be used, sold, copied or reproduced in whole or part in any manner in any media to any person without prior consent. **EFFAST** is a registered trademark."