

PVC-U Pressure relief valves MVP

PVC-U Valvole di sicurezza MVP

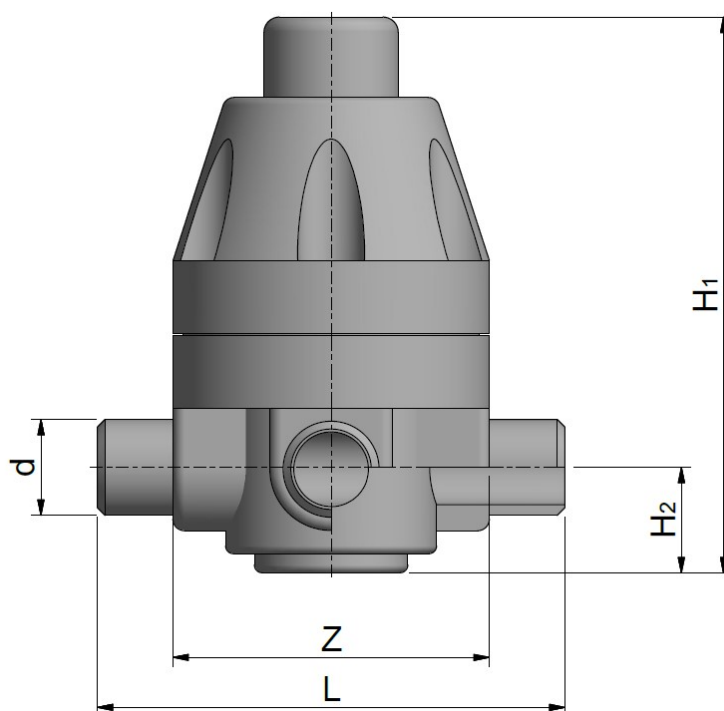
MANUAL WITH METRIC SPIGOTS

MANUALE CON MANICOTTI METRICI MASCHIO

- Diaphragm material: EPDM or PTFE coated / Materiale membrana: EPDM o rivestita PTFE

Rev. Jun 2021

FN6369



Code EPDM	Code PTFE	DN	d	L	Z	H1	H2	PN	Weight (g)
MDRMVP0200.E	MDRMVP020P.E	15	20	134	83	20	137	10	400
MDRMVP0250.E	MDRMVP025P.E	20	25	134	83	20	137	10	400
MDRMVP0320.E	MDRMVP032P.E	25	32	174	112	27	199	10	1200
MDRMVP0400.E	MDRMVP040P.E	32	40	174	112	27	199	10	1200
MDRMVP0500.E	MDRMVP050P.E	40	50	224	165	43	290	10	6400
MDRMVP0630.E	MDRMVP063P.E	50	63	224	165	43	290	10	6500

All descriptions and illustrations in this publication are intended for guidance only and shall not constitute a 'sale by description'. All dimensions given are nominal, while changes can be done on the information, products and specifications from time to time for a variety of reasons, without prior notice. The information in this publication is provided 'as is' on the revision date stated on the sheet. Updates will not be issued automatically. This information is not intended to have any legal effect, whether by way of advice, representation or warranty (express or implied). We accept no liability whatsoever (to the extent permitted by law) if you place any reliance on this publication you must do so at your own risk. All rights reserved. Copyright in this publication belongs to Polypipe Italia and all such copyright may not be used, sold, copied or reproduced in whole or part in any manner in any media to any person without prior consent. **EFFAST** is a registered trademark.