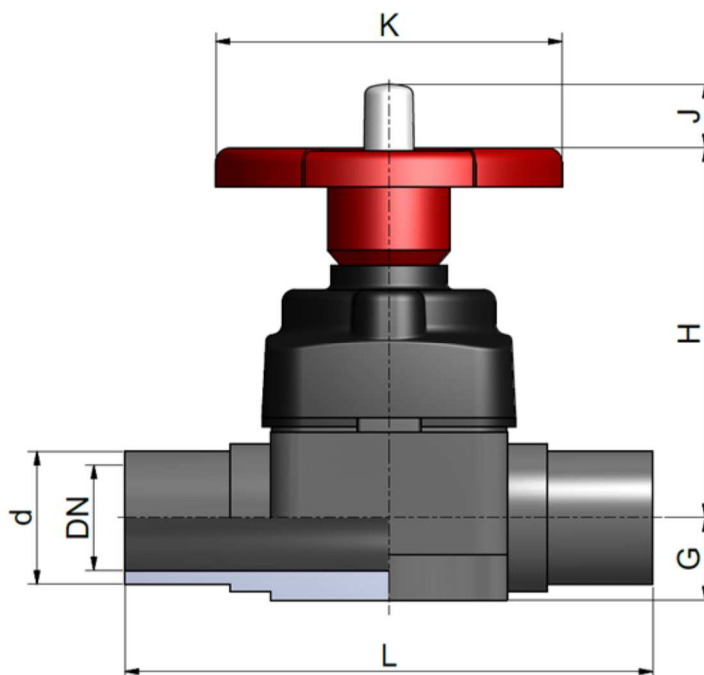


**PVC-U Diaphragm valves**  
**PVC-U Valvole a membrana**

**MANUAL WITH METRIC SPIGOTS**  
**MANUALE CON MANICOTTI METRICI MASCHIO**

Rev. Jul 2019  
 FN6369



Code	DN	d	L	G	H	J	K	PN	Weight (g)
MDRMVS0200.E	15	20	124	21,5	120	13	101	10	760
MDRMVS0250.E	20	25	144	21,5	120	13	101	10	790
MDRMVS0320.E	25	32	154	21,5	120	13	101	10	800
MDRMVS0400.E	32	40	174	32	142	25	139	10	1500
MDRMVS0500.E	40	50	194	32	142	25	139	10	1560
MDRMVS0630.E	50	63	224	39	175	30	163	10	2800

All descriptions and illustrations in this publication are intended for guidance only and shall not constitute a 'sale by description'. All dimensions given are nominal, while changes can be done on the information, products and specifications from time to time for a variety of reasons, without prior notice. The information in this publication is provided 'as is' on the revision date stated on the sheet. Updates will not be issued automatically. This information is not intended to have any legal effect, whether by way of advice, representation or warranty (express or implied). We accept no liability whatsoever (to the extent permitted by law) if you place any reliance on this publication you must do so at your own risk. All rights reserved. Copyright in this publication belongs to Polypipe Italia and all such copyright may not be used, sold, copied or reproduced in whole or part in any manner in any media to any person without prior consent. **EFFAST** is a registered trademark."