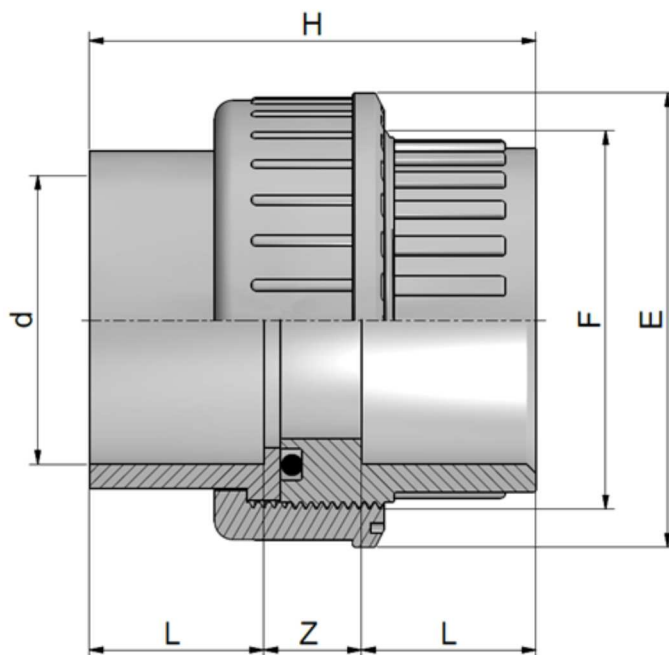


ABS Solvent welded BS fittings ABS Raccordi per incollaggio BS

UNION F-F BOCCHETTONE F-F

- Seals: EPDM or FKM / Guarnizioni: EPDM o FKM

Rev. Aug 2019



Code EPDM	Code FKM	d	L	Z	H	E	F	PN	Weight (g)
RAABOA0200	RAABOA020V	1/2"	16	13	45	43	1"	15	41
RAABOA0250	RAABOA025V	3/4"	19	13	51	54	1"1/4	15	67
RAABOA0320	RAABOA032V	1"	22	13	57	61	1"1/2	15	90
RAABOA0400	RAABOA040V	1"1/4	27	14	68	75	2"	15	150
RAABOA0500	RAABOA050V	1"1/2	31	18	80	81	2"1/4	15	215
RAABOA0630	RAABOA063V	2"	38	22	98	99	2"3/4	15	380
RAABOA0750	RAABOA075V	2"1/2	44	22	110	120	3"1/2	15	575
RAABOA0900	RAABOA090V	3"	51	23	125	134	4"	15	781
RAABOA1100	RAABOA110V	4"	61	23	145	163	5"	15	1151



NSF and WRAS certifications: only for valves with EPDM seals. Certifications and approvals are related to items declared on Official Listing or certificates. /
Certificazioni NSF e WRAS: valide solo per le valvole con guarnizioni EPDM. Le certificazioni si riferiscono ai prodotti dichiarati nelle Official Listing o sui certificati stessi.

All descriptions and illustrations in this publication are intended for guidance only and shall not constitute a 'sale by description'. All dimensions given are nominal, while changes can be done on the information, products and specifications from time to time for a variety of reasons, without prior notice. The information in this publication is provided 'as is' on the revision date stated on the sheet. Updates will not be issued automatically. This information is not intended to have any legal effect, whether by way of advice, representation or warranty (express or implied). We accept no liability whatsoever (to the extent permitted by law) if you place any reliance on this publication you must do so at your own risk. All rights reserved. Copyright in this publication belongs to Polypipe Italia and all such copyright may not be used, sold, copied or reproduced in whole or part in any manner in any media to any person without prior consent. **EFFAST** is a registered trademark."