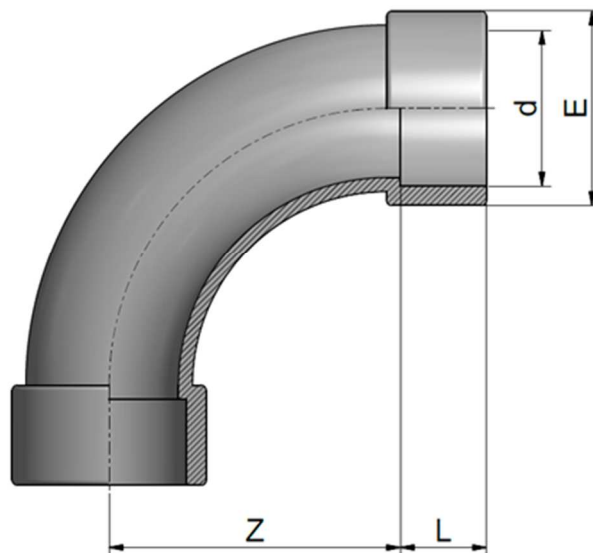


ABS Solvent welded BS fittings ABS Raccordi per incollaggio BS

**BEND 90°
CURVA 90°**

Rev. Jul 2020



Code	d	L	Z	E	PN	Weight (g)
RAACUA0200	1/2"	16	40	28	15	32
RAACUA0250	3/4"	19	50	35	15	55
RAACUA0320	1"	22	64	42	15	90
RAACUA0400	1"1/4	26	80	51	15	156
RAACUA0500	1"1/2	31	100	63	15	256
RAACUA0630	2"	38	126	77	15	445
RAACUA0750	2"1/2	44	150	94	15	777
RAACUA0900	3"	51	180	113	15	1360
RAACUA1100	4"	61	220	132	15	2078

All descriptions and illustrations in this publication are intended for guidance only and shall not constitute a 'sale by description'. All dimensions given are nominal, while changes can be done on the information, products and specifications from time to time for a variety of reasons, without prior notice. The information in this publication is provided 'as is' on the revision date stated on the sheet. Updates will not be issued automatically. This information is not intended to have any legal effect, whether by way of advice, representation or warranty (express or implied). We accept no liability whatsoever (to the extent permitted by law) if you place any reliance on this publication you must do so at your own risk. All rights reserved. Copyright in this publication belongs to Polypipe Italia and all such copyright may not be used, sold, copied or reproduced in whole or part in any manner in any media to any person without prior consent. **EFFAST** is a registered trademark."