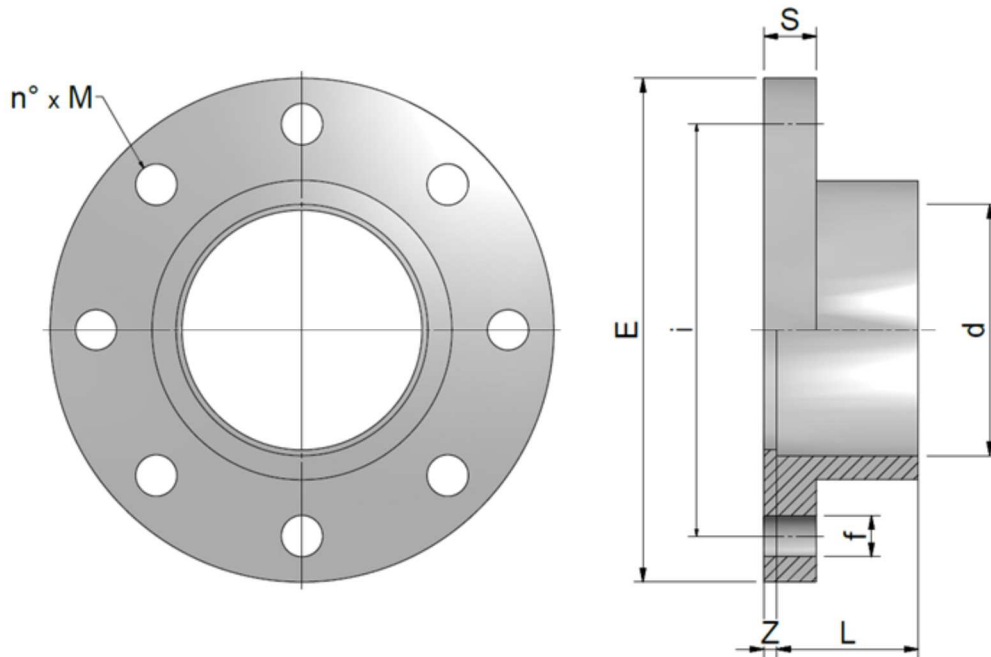


ABS Solvent welded BS fittings
ABS Raccordi per incollaggio BS

FIXED FLANGE EN/ISO/DIN
FLANGIA FISSA EN/ISO/DIN

Rev. Aug 2019



Code	d	DN	L	Z	S	E	i	f	n° x M	PN	Weight (g)
RAAFNA0200	1/2"	15	16	4,5	11	95	65	14	4 x M12	15	60
RAAFNA0250	3/4"	20	19	4,5	12	105	75	14	4 x M12	15	76
RAAFNA0320	1"	25	22	4,5	14	115	85	14	4 x M12	15	140
RAAFNA0400	1"1/4	32	26	4,5	15	142	100	18	4 x M16	15	176
RAAFNA0500	1"1/2	40	32	4,5	16	152	110	18	4 x M16	15	224
RAAFNA0630	2"	50	38	5	20	165	125	18	4 x M16	15	289
RAAFNA0750	2"1/2	65	44	6	19	185	145	18	4 x M16	15	376
RAAFNA0900	3"	80	51	7	22	200	160	18	8 x M16	15	524
RAAFNA1100	4"	100	63	8	23	220	180	18	8 x M16	15	666



NSF and WRAS certifications: only for valves with EPDM seals. Certifications and approvals are related to items declared on Official Listing or certificates. /
 Certificazioni NSF e WRAS: valide solo per le valvole con guarnizioni EPDM. Le certificazioni si riferiscono ai prodotti dichiarati nelle Official Listing o sui certificati stessi.

All descriptions and illustrations in this publication are intended for guidance only and shall not constitute a 'sale by description'. All dimensions given are nominal, while changes can be done on the information, products and specifications from time to time for a variety of reasons, without prior notice. The information in this publication is provided 'as is' on the revision date stated on the sheet. Updates will not be issued automatically. This information is not intended to have any legal effect, whether by way of advice, representation or warranty (express or implied). We accept no liability whatsoever (to the extent permitted by law) if you place any reliance on this publication you must do so at your own risk. All rights reserved. Copyright in this publication belongs to Polypipe Italia and all such copyright may not be used, sold, copied or reproduced in whole or part in any manner in any media to any person without prior consent. **EFFAST** is a registered trademark."