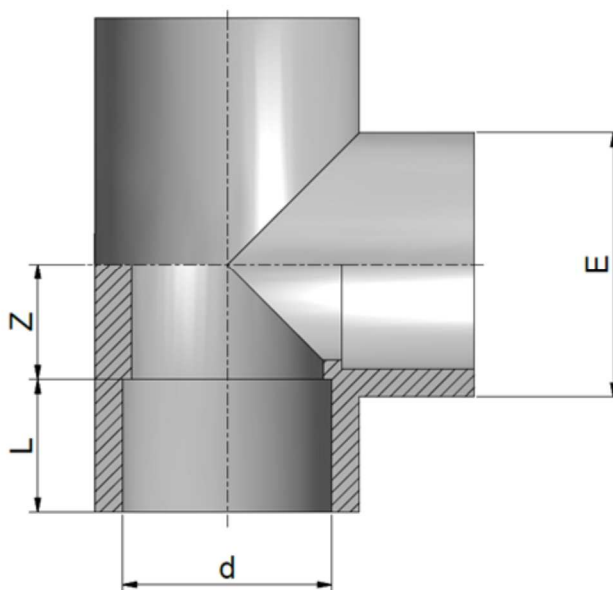


ABS Solvent welded BS fittings

ABS Raccordi per incollaggio BS

TEE 90°
TI 90°

Rev. Oct 2019



Code	d	L	Z	E	PN	Weight (g)
RAATIA0200	1/2"	17	11	28	15	10
RAATIA0250	3/4"	20	14	34	15	20
RAATIA0320	1"	23	17	42	15	50
RAATIA0400	1"1/4	27	21	51	15	79
RAATIA0500	1"1/2	32	26	61	15	158
RAATIA0630	2"	38	33	75	15	275
RAATIA0750	2"1/2	44	39	89	15	380
RAATIA0900	3"	51	47	106	15	657
RAATIA1100	4"	63	57	133	15	1206
RAATIA1400	5"	76	71	163	15	2033
RAATIA1600	6"	90	81	198	15	3753
RAATIA2250	8"	119	114	258	15*	11227

*Reduced safety factor / Fattore di sicurezza ridotto

Marks / Marchi: 1. BSI



NSF and WRAS certifications: only for valves with EPDM seals. Certifications and approvals are related to items declared on Official Listing or certificates. /
Certificazioni NSF e WRAS: valide solo per le valvole con guarnizioni EPDM. Le certificazioni si riferiscono ai prodotti dichiarati nelle Official Listing o sui certificati stessi.

All descriptions and illustrations in this publication are intended for guidance only and shall not constitute a 'sale by description'. All dimensions given are nominal, while changes can be done on the information, products and specifications from time to time for a variety of reasons, without prior notice. The information in this publication is provided 'as is' on the revision date stated on the sheet. Updates will not be issued automatically. This information is not intended to have any legal effect, whether by way of advice, representation or warranty (express or implied). We accept no liability whatsoever (to the extent permitted by law) if you place any reliance on this publication you must do so at your own risk. All rights reserved. Copyright in this publication belongs to Polypipe Italia and all such copyright may not be used, sold, copied or reproduced in whole or part in any manner in any media to any person without prior consent. **EFFAST** is a registered trademark."

Polypipe Italia
Loc. Pianmercato 5C-5D-5H, 16044 Cicagna (GE), Italy
Tel: +39 0185 92399 E-mail: support@effast.com

www.effast.com

EFFAST