

# PVC-U Solvent welded BS fittings

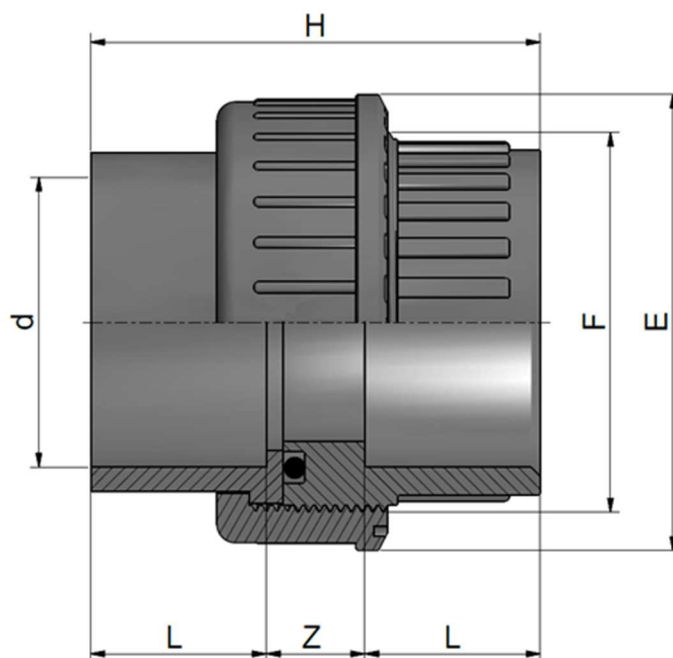
## PVC-U Raccordi per incollaggio BS

### UNION F-F

#### BOCCHETTONE F-F

Rev. Oct 2020

- Seals: EPDM or FKM / Guarnizioni: EPDM o FKM



Code EPDM	Code FKM	Rp	L min	Z max	H	E	F	PN	Weight (g)
RARBOA0160	RARBOA016V	3/8"	14	14	42	34	3/4"	15	27
RARBOA0200	RARBOA020V	1/2"	16	13	45	43	1"	15	42
RARBOA0250	RARBOA025V	3/4"	19	13	51	54	1 1/4"	15	68
RARBOA0320	RARBOA032V	1"	22	13	57	61	1 1/2"	15	91
RARBOA0400	RARBOA040V	1 1/4"	27	14	68	75	2"	15	149
RARBOA0500	RARBOA050V	1 1/2"	31	18	80	81	2 1/4"	15	189
RARBOA0630	RARBOA063V	2"	38	22	98	99	2 3/4"	15	322
RARBOA0750	RARBOA075V	2 1/2"	44	22	110	120	3 1/2"	15	567
RARBOA0900	RARBOA090V	3"	51	23	125	134	4"	15	725
RARBOA1100	RARBOA110V	4"	61	23	145	163	5"	15	1265



NSF and WRAS certifications: only for valves with EPDM seals. Certifications and approvals are related to items declared on Official Listing or certificates. /  
 Certificazioni NSF e WRAS: valide solo per le valvole con guarnizioni EPDM. Le certificazioni si riferiscono ai prodotti dichiarati nelle Official Listing o sui certificati stessi.

All descriptions and illustrations in this publication are intended for guidance only and shall not constitute a 'sale by description'. All dimensions given are nominal, while changes can be done on the information, products and specifications from time to time for a variety of reasons, without prior notice. The information in this publication is provided 'as is' on the revision date stated on the sheet. Updates will not be issued automatically. This information is not intended to have any legal effect, whether by way of advice, representation or warranty (express or implied). We accept no liability whatsoever (to the extent permitted by law) if you place any reliance on this publication you must do so at your own risk. All rights reserved. Copyright in this publication belongs to Polypipe Italia and all such copyright may not be used, sold, copied or reproduced in whole or part in any manner in any media to any person without prior consent. **EFFAST** is a registered trademark."