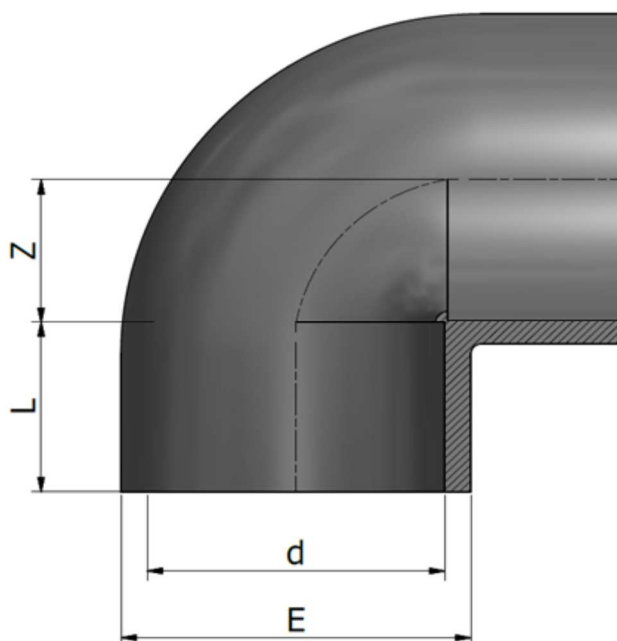


# PVC-U Solvent welded BS fittings

## PVC-U Raccordi per incollaggio BS

**ELBOW 90°**  
**GOMITO 90°**

Rev. Aug 2019



Code	d	L	Z	E	PN	Weight (g)
RARGOA0160	3/8"	15	9	23	15	13
RARGOA0200	1/2"	17	11	27	15	17
RARGOA0250	3/4"	20	14	33	15	25
RARGOA0320	1"	23	17	41	15	45
RARGOA0400	1"1/4	27	23	51	15	70
RARGOA0500	1"1/2	32	28	61	15	151
RARGOA0630	2"	38	34	75	15	273
RARGOA0750	2"1/2	44	40	89	15	384
RARGOA0900	3"	52	48	106	15	670
RARGOA1100	4"	63	58	133	15	1238
RARGOA1400	5"	76	72	164	15	2097
RARGOA1600	6"	90	81	198	15	4261
RARGOA2250	8"	119	115	258	15*	8765

\*Reduced safety factor / Fattore di sicurezza ridotto

Marks / Marchi: 1. BS1



NSF and WRAS certifications: only for valves with EPDM seals. Certifications and approvals are related to items declared on Official Listing or certificates. /  
Certificazioni NSF e WRAS: valide solo per le valvole con guarnizioni EPDM. Le certificazioni si riferiscono ai prodotti dichiarati nelle Official Listing o sui certificati stessi.

All descriptions and illustrations in this publication are intended for guidance only and shall not constitute a 'sale by description'. All dimensions given are nominal, while changes can be done on the information, products and specifications from time to time for a variety of reasons, without prior notice. The information in this publication is provided 'as is' on the revision date stated on the sheet. Updates will not be issued automatically. This information is not intended to have any legal effect, whether by way of advice, representation or warranty (express or implied). We accept no liability whatsoever (to the extent permitted by law) if you place any reliance on this publication you must do so at your own risk. All rights reserved. Copyright in this publication belongs to Polypipe Italia and all such copyright may not be used, sold, copied or reproduced in whole or part in any manner in any media to any person without prior consent. **EFFAST** is a registered trademark."

Polypipe Italia  
Loc. Pianmercato 5C-5D-5H, 16044 Cicagna (GE), Italy  
Tel: +39 0185 92399 E-mail: [support@effast.com](mailto:support@effast.com)

[www.effast.com](http://www.effast.com)

**EFFAST**