

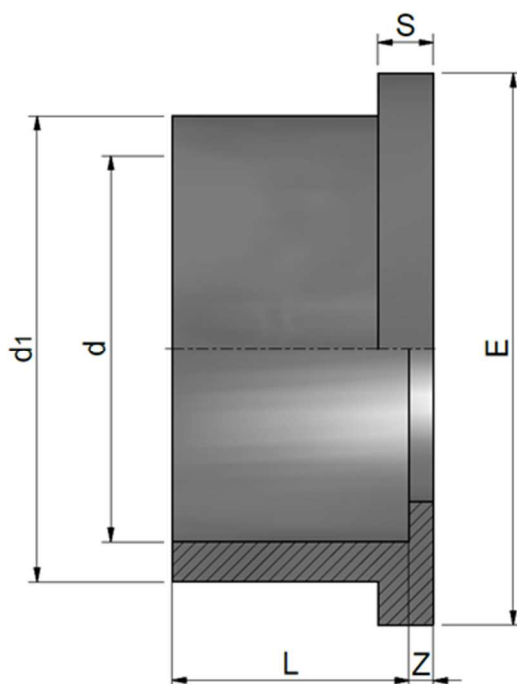
PVC-U Solvent welded BS fittings

PVC-U Raccordi per incollaggio BS

SERRATED FACE STUB FLANGE

COLLARE RIGATO PER FLANGE

Rev. Oct 2020



Code	d	d1	L	Z	E	S	PN	Weight (g)
RARQA0200	1/2"	27	16	3	34	3	15	10
RARQA0250	3/4"	33	19	4	41	3	15	16
RARQA0320	1"	41	22	4	50	7	15	25
RARQA0400	1 1/4"	50	26	3	61	8	15	41
RARQA0500	1 1/2"	61	32	4	73	9	15	60
RARQA0630	2"	76	38	4	90	10	15	105
RARQA0750	2 1/2"	90	44	5	106	10	15	160
RARQA0900	3"	108	52	4	125	11	15	280
RARQA1100	4"	131	62	5	149	12	15	445
RARQA1400	5"	165	77	8	189	13	15	740
RARQA1600	6"	193	87	7	214	13	15	1000
RARQA2250	8"	248	119	9	273	20	9	1700



NSF and WRAS certifications: only for valves with EPDM seals. Certifications and approvals are related to items declared on Official Listing or certificates. /
 Certificazioni NSF e WRAS: valide solo per le valvole con guarnizioni EPDM. Le certificazioni si riferiscono ai prodotti dichiarati nelle Official Listing o sui certificati stessi.

All descriptions and illustrations in this publication are intended for guidance only and shall not constitute a 'sale by description'. All dimensions given are nominal, while changes can be done on the information, products and specifications from time to time for a variety of reasons, without prior notice. The information in this publication is provided 'as is' on the revision date stated on the sheet. Updates will not be issued automatically. This information is not intended to have any legal effect, whether by way of advice, representation or warranty (express or implied). We accept no liability whatsoever (to the extent permitted by law) if you place any reliance on this publication you must do so at your own risk. All rights reserved. Copyright in this publication belongs to Polypipe Italia and all such copyright may not be used, sold, copied or reproduced in whole or part in any manner in any media to any person without prior consent. **EFFAST** is a registered trademark."

Polypipe Italia
 Loc. Pianmercato 5C-5D-5H, 16044 Cicagna (GE), Italy
 Tel: +39 0185 92399 E-mail: support@effast.com

www.effast.com

EFFAST