

# PVC-U Solvent welded metric fittings

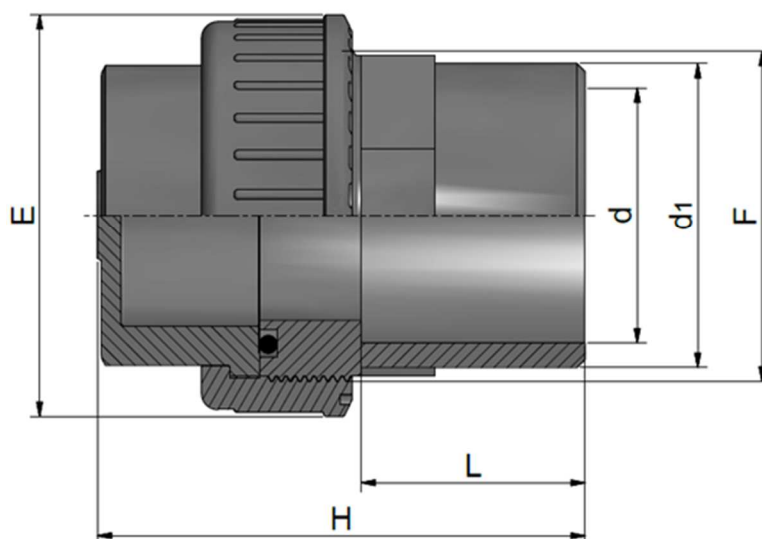
## PVC-U Raccordi per incollaggio metrici

### UNION ADAPTOR F/M WITH CAP

### BOCCHETTONE ADATTATORE F/M CON TAPPO

- Seals: EPDM or FKM / Guarnizioni: EPDM o FKM

Rev. Oct 2020



Code EPDM	Code FKM	d	d1	L	H	E	F	PN	Weight (g)
RDRBAT0200	RDRBAT020V	20	25	16	71	43	1"	16	42
RDRBAT0250	RDRBAT025V	25	32	19	76	54	1 1/4"	16	70
RDRBAT0320	RDRBAT032V	32	40	22	83	61	1 1/2"	16	97
RDRBAT0400	RDRBAT040V	40	50	27	93	75	2"	16	155
RDRBAT0500	RDRBAT050V	50	63	31	105	81	2 1/4"	16	216
RDRBAT0630	RDRBAT063V	63	75	38	128	99	2 3/4"	16	250



NSF and WRAS certifications: only for valves with EPDM seals. Certifications and approvals are related to items declared on Official Listing or certificates. /  
 Certificazioni NSF e WRAS: valide solo per le valvole con guarnizioni EPDM. Le certificazioni si riferiscono ai prodotti dichiarati nelle Official Listing o sui certificati stessi.

All descriptions and illustrations in this publication are intended for guidance only and shall not constitute a 'sale by description'. All dimensions given are nominal, while changes can be done on the information, products and specifications from time to time for a variety of reasons, without prior notice. The information in this publication is provided 'as is' on the revision date stated on the sheet. Updates will not be issued automatically. This information is not intended to have any legal effect, whether by way of advice, representation or warranty (express or implied). We accept no liability whatsoever (to the extent permitted by law) if you place any reliance on this publication you must do so at your own risk. All rights reserved. Copyright in this publication belongs to Polypipe Italia and all such copyright may not be used, sold, copied or reproduced in whole or part in any manner in any media to any person without prior consent. **EFFAST** is a registered trademark."