

PVC-U Solvent welded metric fittings

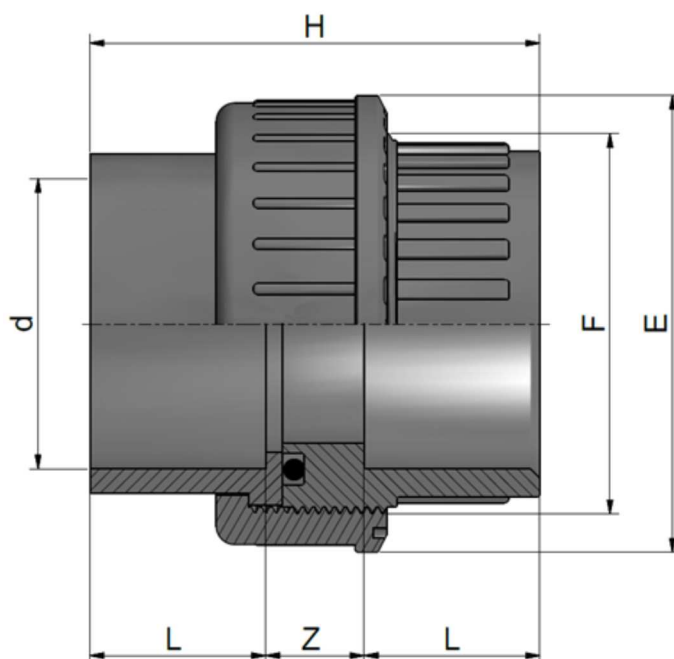
PVC-U Raccordi per incollaggio metrici

UNION F-F

BOCCHETTONE F-F

Rev. May 2019

- Seals: EPDM or FKM / Guarnizioni: EPDM o FKM



Code EPDM	Code FKM	d	L	Z	H	E	F	PN	Weight (g)
RDRBOD0160	RDRBOD016V	16	14	14	42	34	3/4"	16	27
RDRBOD0200	RDRBOD020V	20	16	13	45	43	1"	16	42
RDRBOD0250	RDRBOD025V	25	19	13	51	54	1"1/4	16	68
RDRBOD0320	RDRBOD032V	32	22	13	57	61	1"1/2	16	91
RDRBOD0400	RDRBOD040V	40	27	14	68	75	2"	16	149
RDRBOD0500	RDRBOD050V	50	31	18	80	81	2"1/4	16	189
RDRBOD0630	RDRBOD063V	63	38	22	98	99	2"3/4	16	322
RDRBOD0750	RDRBOD075V	75	44	22	110	120	3"1/2	16	567
RDRBOD0900	RDRBOD090V	90	51	23	125	134	4"	16	725
RDRBOD1100	RDRBOD110V	110	61	23	145	163	5"	16	1265



NSF and WRAS certifications: only for valves with EPDM seals. Certifications and approvals are related to items declared on Official Listing or certificates. /
 Certificazioni NSF e WRAS: valide solo per le valvole con guarnizioni EPDM. Le certificazioni si riferiscono ai prodotti dichiarati nelle Official Listing o sui certificati stessi.

All descriptions and illustrations in this publication are intended for guidance only and shall not constitute a 'sale by description'. All dimensions given are nominal, while changes can be done on the information, products and specifications from time to time for a variety of reasons, without prior notice. The information in this publication is provided 'as is' on the revision date stated on the sheet. Updates will not be issued automatically. This information is not intended to have any legal effect, whether by way of advice, representation or warranty (express or implied). We accept no liability whatsoever (to the extent permitted by law) if you place any reliance on this publication you must do so at your own risk. All rights reserved. Copyright in this publication belongs to Polypipe Italia and all such copyright may not be used, sold, copied or reproduced in whole or part in any manner in any media to any person without prior consent. **EFFAST** is a registered trademark."