

PVC-U Solvent welded metric fittings

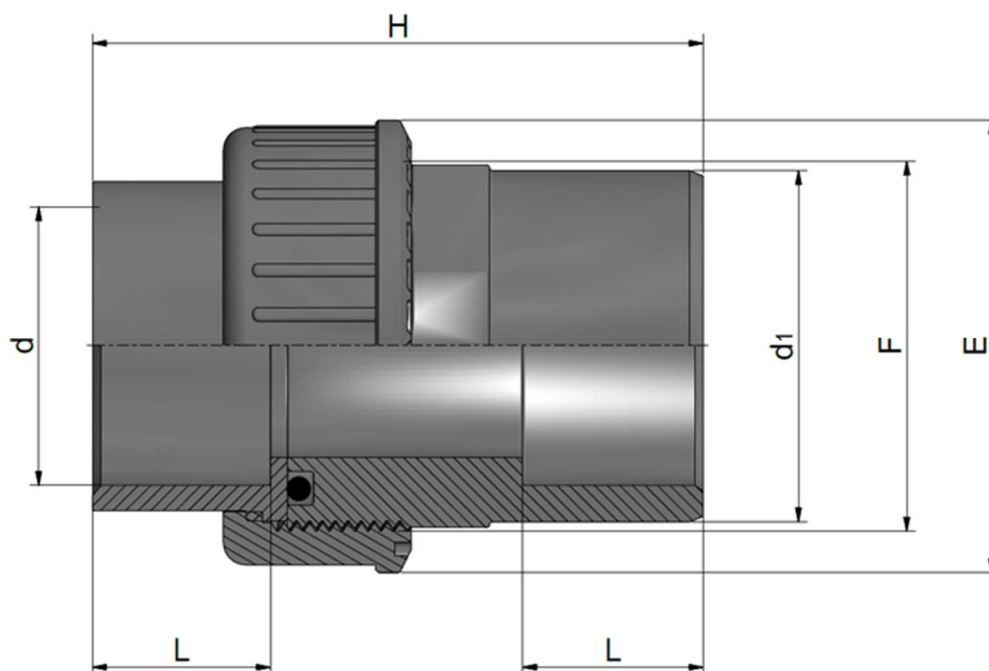
PVC-U Raccordi per incollaggio metrici

UNION ADAPTOR F-M/F

BOCCHETTONE ADATTATORE F-M/F

Rev. Oct 2020

- Seals: EPDM or FKM / *Guarnizioni: EPDM o FKM*



Code EPDM	Code FKM	d	d1	E	L	H	F	PN	Weight (g)
RDRBOP020B	RDRBOP020V	20	25	44	16	67	1"	16	34
RDRBOP025C	RDRBOP025V	25	32	54	19	73	1 1/4"	16	62
RDRBOP032D	RDRBOP032V	32	40	61	22	82	1 1/2"	16	95
RDRBOP040E	RDRBOP040V	40	50	75	27	96	2"	16	114
RDRBOP050F	RDRBOP050V	50	63	81	31	109	2 1/4"	16	225
RDRBOP063G	RDRBOP063V	63	75	99	38	130	2 3/4"	16	517



NSF and WRAS certifications: only for valves with EPDM seals. Certifications and approvals are related to items declared on Official Listing or certificates. /
Certificazioni NSF e WRAS: valide solo per le valvole con guarnizioni EPDM. Le certificazioni si riferiscono ai prodotti dichiarati nelle Official Listing o sui certificati stessi.

All descriptions and illustrations in this publication are intended for guidance only and shall not constitute a 'sale by description'. All dimensions given are nominal, while changes can be done on the information, products and specifications from time to time for a variety of reasons, without prior notice. The information in this publication is provided 'as is' on the revision date stated on the sheet. Updates will not be issued automatically. This information is not intended to have any legal effect, whether by way of advice, representation or warranty (express or implied). We accept no liability whatsoever (to the extent permitted by law) if you place any reliance on this publication you must do so at your own risk. All rights reserved. Copyright in this publication belongs to Polypipe Italia and all such copyright may not be used, sold, copied or reproduced in whole or part in any manner in any media to any person without prior consent. **EFFAST** is a registered trademark."