

# PVC-U Solvent welded metric fittings

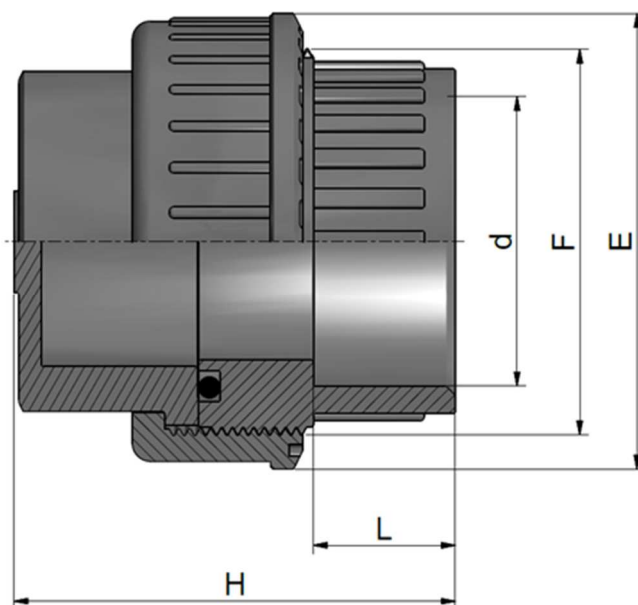
## PVC-U Raccordi per incollaggio metrici

### UNION WITH CAP

### BOCCHETTONE CON TAPPO

- Seals: EPDM or FKM / *Guarnizioni: EPDM o FKM*

Rev. Oct 2020



Code EPDM	Code FKM	d	L min	H	E	F	PN	Weight (g)
RDRBOT0200	RDRBOT020V	20	16	49	43	1"	16	42
RDRBOT0250	RDRBOT025V	25	19	54	54	1"1/4	16	70
RDRBOT0320	RDRBOT032V	32	22	58	61	1"1/2	16	97
RDRBOT0400	RDRBOT040V	40	27	65	75	2"	16	155
RDRBOT0500	RDRBOT050V	50	31	76	81	2"1/4	16	216
RDRBOT0630	RDRBOT063V	63	38	96	99	2"3/4	16	250



NSF and WRAS certifications: only for valves with EPDM seals. Certifications and approvals are related to items declared on Official Listing or certificates. /  
 Certificazioni NSF e WRAS: valide solo per le valvole con guarnizioni EPDM. Le certificazioni si riferiscono ai prodotti dichiarati nelle Official Listing o sui certificati stessi.

All descriptions and illustrations in this publication are intended for guidance only and shall not constitute a 'sale by description'. All dimensions given are nominal, while changes can be done on the information, products and specifications from time to time for a variety of reasons, without prior notice. The information in this publication is provided 'as is' on the revision date stated on the sheet. Updates will not be issued automatically. This information is not intended to have any legal effect, whether by way of advice, representation or warranty (express or implied). We accept no liability whatsoever (to the extent permitted by law) if you place any reliance on this publication you must do so at your own risk. All rights reserved. Copyright in this publication belongs to Polypipe Italia and all such copyright may not be used, sold, copied or reproduced in whole or part in any manner in any media to any person without prior consent. **EFFAST** is a registered trademark."