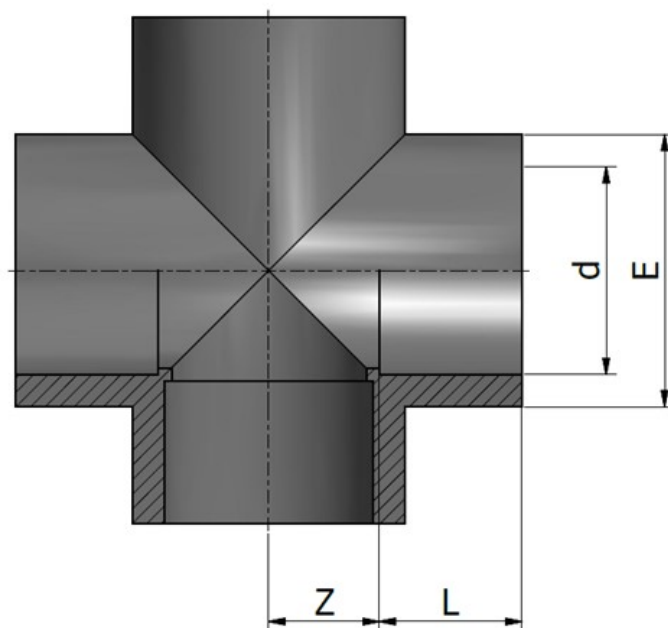


PVC-U Solvent welded metric fittings
PVC-U Raccordi per incollaggio metrici

CROSS
CROCE

Rev. Apr 2019



Code	d	L	Z	E	PN	Weight (g)
RDRCRD0200	20	16	11	28	16	29
RDRCRD0250	25	19	14	34	16	49
RDRCRD0320	32	22	17	42	16	84
RDRCRD0400	40	26	21	51	16	140
RDRCRD0500	50	31	26	61	16	206
RDRCRD0630	63	38	33	75	16	345
RDRCRD0750	75	44	40	89	16	574
RDRCRD0900	90	51	46	106	16	950
RDRCRD1100	110	61	56	130	16	1600

All descriptions and illustrations in this publication are intended for guidance only and shall not constitute a 'sale by description'. All dimensions given are nominal, while changes can be done on the information, products and specifications from time to time for a variety of reasons, without prior notice. The information in this publication is provided 'as is' on the revision date stated on the sheet. Updates will not be issued automatically. This information is not intended to have any legal effect, whether by way of advice, representation or warranty (express or implied). We accept no liability whatsoever (to the extent permitted by law) if you place any reliance on this publication you must do so at your own risk. All rights reserved. Copyright in this publication belongs to Polypipe Italia and all such copyright may not be used, sold, copied or reproduced in whole or part in any manner in any media to any person without prior consent. **EFFAST** is a registered trademark."