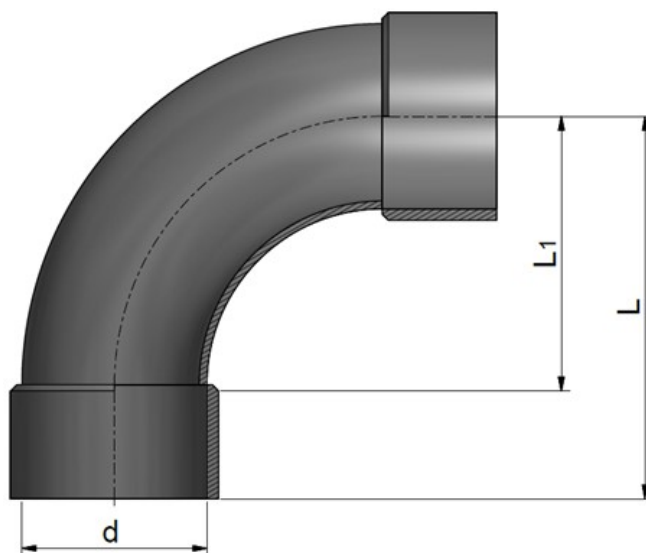


PVC-U Solvent welded metric fittings
PVC-U Raccordi per incollaggio metrici

BEND 90° MADE FROM PIPE
CURVA 90° DA TUBO

Rev. Jun 2019



Code	d	L	L1	PN	Weight (g)
RDRUCDT0320	32	87	59	16	60
RDRUCDT0400	40	107	73	16	120
RDRUCDT0500	50	140	90	16	210
RDRUCDT0630	63	170	120	16	380
RDRUCDT0750	75	210	150	16	680
RDRUCDT0900	90	250	170	16	1050
RDRUCDT1100	110	248	174	12,5	1210
RDRUCDT1250	125	295	210	12,5	2000
RDRUCDT1400	140	333	234	12,5	2800
RDRUCDT1600	160	368	256	12,5	4150
RDRUCDT2000	200	465	322	12,5	8000
RDRUCDT2250	225	517	380	10	10500
RDRUCDT2500	250	535	385	10	13900
RDRUCDT2800	280	648	480	10	18830
RDRUCDT3150	315	815	595	10	31210

All descriptions and illustrations in this publication are intended for guidance only and shall not constitute a 'sale by description'. All dimensions given are nominal, while changes can be done on the information, products and specifications from time to time for a variety of reasons, without prior notice. The information in this publication is provided 'as is' on the revision date stated on the sheet. Updates will not be issued automatically. This information is not intended to have any legal effect, whether by way of advice, representation or warranty (express or implied). We accept no liability whatsoever (to the extent permitted by law) if you place any reliance on this publication you must do so at your own risk. All rights reserved. Copyright in this publication belongs to Polypipe Italia and all such copyright may not be used, sold, copied or reproduced in whole or part in any manner in any media to any person without prior consent. **EFFAST** is a registered trademark."