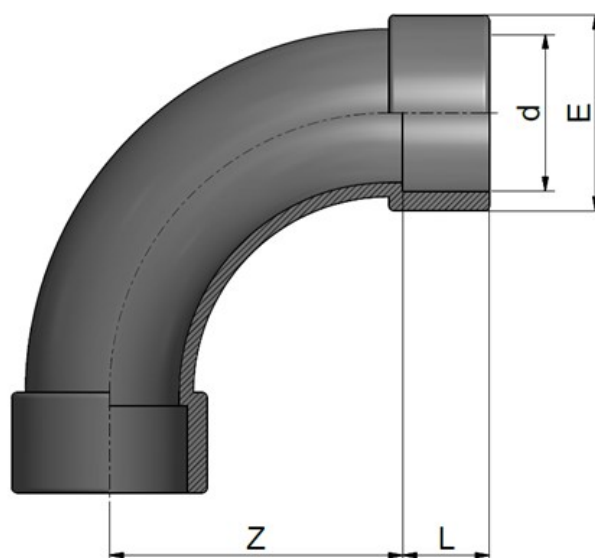


**PVC-U Solvent welded metric fittings**  
**PVC-U Raccordi per incollaggio metrici**

**BEND 90°**  
**CURVA 90°**

Rev. Nov 2019



Code	d	L	Z	E	PN	Weight (g)
RRCUD0200	20	16	40	28	16	45
RRCUD0250	25	19	50	35	16	74
RRCUD0320	32	22	64	42	16	123
RRCUD0400	40	26	80	51	16	210
RRCUD0500	50	31	100	63	16	313
RRCUD0630	63	38	126	77	16	544
RRCUD0750	75	44	150	94	16	1007
RRCUD0900	90	51	180	113	16	1756
RRCUD1100	110	61	220	132	16	2814

All descriptions and illustrations in this publication are intended for guidance only and shall not constitute a 'sale by description'. All dimensions given are nominal, while changes can be done on the information, products and specifications from time to time for a variety of reasons, without prior notice. The information in this publication is provided 'as is' on the revision date stated on the sheet. Updates will not be issued automatically. This information is not intended to have any legal effect, whether by way of advice, representation or warranty (express or implied). We accept no liability whatsoever (to the extent permitted by law) if you place any reliance on this publication you must do so at your own risk. All rights reserved. Copyright in this publication belongs to Polypipe Italia and all such copyright may not be used, sold, copied or reproduced in whole or part in any manner in any media to any person without prior consent. **EFFAST** is a registered trademark."