

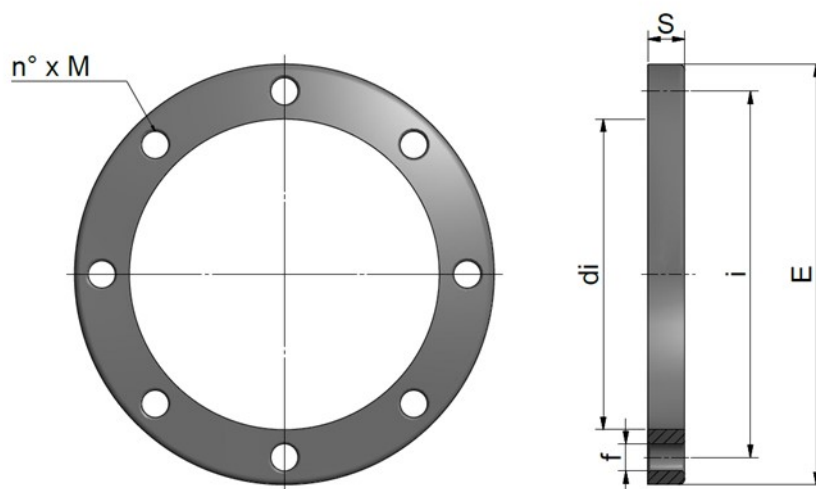
# PVC-U Solvent welded metric fittings

## PVC-U Raccordi per incollaggio metrici

### BACKING RING EN/ISO/DIN

### FLANGIA LIBERA EN/ISO/DIN

Rev. Jul. 2021



Code	d	DN	di	E	S	i	f	n° x M	PN	Weight (g)	
RDRFLD0200	20	1/2"	15	28	96	11	65	14	4 x M12	16	60
RDRFLD0250	25	3/4"	20	34	107	12	75	14	4 x M12	16	85
RDRFLD0320	32	1"	25	42	117	14	85	14	4 x M12	16	120
RDRFLD0400	40	1"1/4	32	51	143	15	100	18	4 x M16	16	190
RDRFLD0500	50	1"1/2	40	62	153	16	110	18	4 x M16	16	225
RDRFLD0630	63	2"	50	78	165	18	125	18	4 x M16	16	281
RDRFLD0750	75	2"1/2	65	92	185	19	145	18	4 x M16	16	351
RDRFLD0900	90	3"	80	110	200	20	160	18	8 x M16	16	442
RDRFLD1100	110	4"	100	135	220	22	180	18	8 x M16	16	517
RDRFLD1250	125		110	149	230	24	190	18	8 x M16	16	555
RDRFLD125M	125		125	149	250	26	210	18	8 x M16	16	960
RDRFLD1400	140	5"	125	167	250	26	210	18	8 x M16	16	687
RDRFLD1600	160	6"	150	192	285	28	240	22	8 x M20	16	960
RDRFLD2000	200		200	235	340	30	295	22	8 x M20	10	1241
RDRFLD2250	225	8"	200	250	340	30	295	22	8 x M20	10	1150
RDRFLD2500	250		250	280	395	34	350	22	12 x M20	10	1680
RDRFLD2800	280	10"	250	309	396	30	350	22	12 x M20	10	1880
RDRFLD3150	315	12"	300	349	465	40	400	22	12 x M20	10	3050
RDRFLD3550	355		350	388	511	34	460	22	16 x M20	5	3550
RDRFLD4000	400		400	438	572	34	515	25	16 x M22	5	4500



NSF and WRAS certifications: only for valves with EPDM seals. Certifications and approvals are related to items declared on Official Listing or certificates. /  
 Certificazioni NSF e WRAS: valide solo per le valvole con guarnizioni EPDM. Le certificazioni si riferiscono ai prodotti dichiarati nelle Official Listing o sui certificati stessi.

All descriptions and illustrations in this publication are intended for guidance only and shall not constitute a 'sale by description'. All dimensions given are nominal, while changes can be done on the information, products and specifications from time to time for a variety of reasons, without prior notice. The information in this publication is provided 'as is' on the revision date stated on the sheet. Updates will not be issued automatically. This information is not intended to have any legal effect, whether by way of advice, representation or warranty (express or implied). We accept no liability whatsoever (to the extent permitted by law) if you place any reliance on this publication you must do so at your own risk. All rights reserved. Copyright in this publication belongs to Polypipe Italia and all such copyright may not be used, sold, copied or reproduced in whole or part in any manner in any media to any person without prior consent. **EFFAST** is a registered trademark."