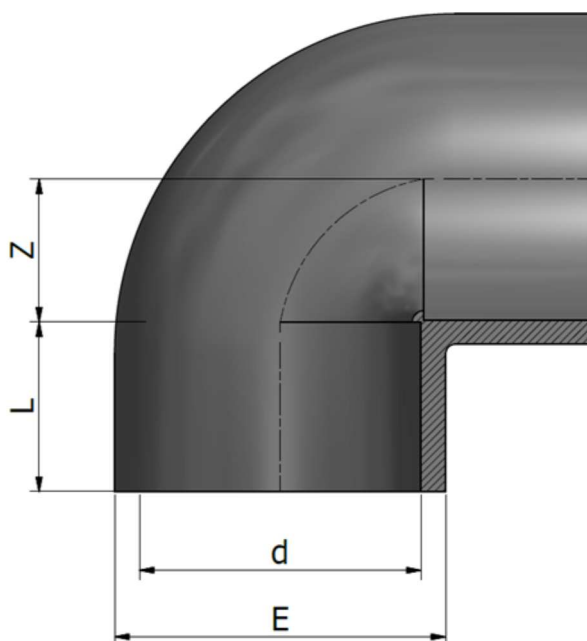


PVC-U Solvent welded metric fittings
PVC-U Raccordi per incollaggio metrici

ELBOW 90°
GOMITO 90°

Rev. Oct 2019



Code	d	L	Z	E	PN	Weight (g)	
RDRGOD0160	16	14	9	23	16	13	1
RDRGOD0200	20	16	11	27	16	20	1
RDRGOD0250	25	19	13	33	16	35	2
RDRGOD0320	32	22	17	41	16	60	2
RDRGOD0400	40	26	22	50	16	90	2
RDRGOD0500	50	30	26	60	16	135	2
RDRGOD0630	63	38	32	74	16	220	2
RDRGOD0750	75	45	39	89	16	375	3
RDRGOD0900	90	51	46	105	16	600	3
RDRGOD1100	110	61	56	130	16	1050	4
RDRGOD1250	125	72	63	145	16	1350	4
RDRGOD1400	140	79	73	164	16	2000	4

Code	d	L	Z	E	PN	Weight (g)	
RDRGOD1600	160	89	81	187	16	3200	4
RDRGOD2000	200	106	102	230	16*	5850	
RDRGOD2250	225	119	114	257	16*	7500	
RDRGOD2500	250	132	185	285	10	12480	
RDRGOD2800	280	147	210	325	10	17000	
RDRGOD3150	315	164	236	359	10	23370	
RDRGOD3550	355	184	177	393	5	20850	
RDRGOD4000	400	206	202	439	5	26350	

*Reduced safety factor / *Fattore di sicurezza ridotto*

Marks / *Marchi*:

1. KIWA UNI, KIWA, DVGW
2. KIWA UNI, KIWA, DVGW, NF
3. KIWA UNI, KIWA, DVGW. NF on request / *UNI, KIWA, DVGW. NF a richiesta.*



NSF and WRAS certifications: only for valves with EPDM seals. Certifications and approvals are related to items declared on Official Listing or certificates. /
Certificazioni NSF e WRAS: valide solo per le valvole con guarnizioni EPDM. Le certificazioni si riferiscono ai prodotti dichiarati nelle Official Listing o sui certificati stessi.

All descriptions and illustrations in this publication are intended for guidance only and shall not constitute a 'sale by description'. All dimensions given are nominal, while changes can be done on the information, products and specifications from time to time for a variety of reasons, without prior notice. The information in this publication is provided 'as is' on the revision date stated on the sheet. Updates will not be issued automatically. This information is not intended to have any legal effect, whether by way of advice, representation or warranty (express or implied). We accept no liability whatsoever (to the extent permitted by law) if you place any reliance on this publication you must do so at your own risk. All rights reserved. Copyright in this publication belongs to Polypipe Italia and all such copyright may not be used, sold, copied or reproduced in whole or part in any manner in any media to any person without prior consent. **EFFAST** is a registered trademark."