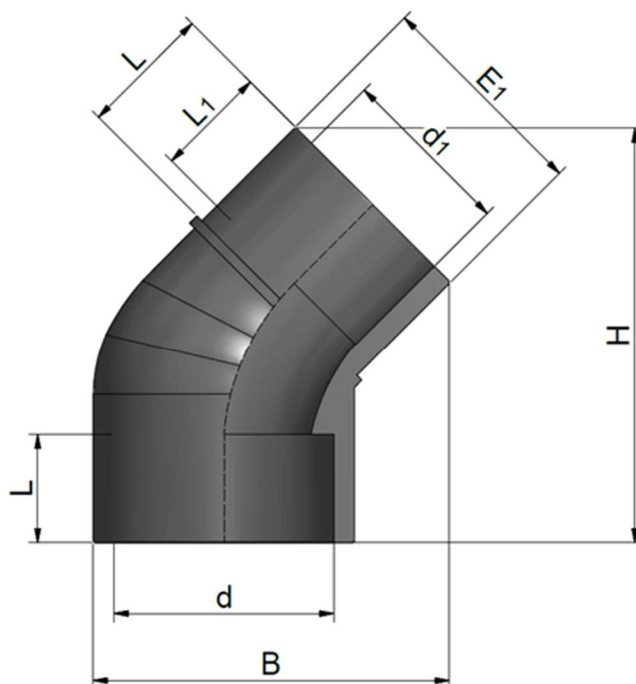


PVC-U Solvent welded metric fittings
PVC-U Raccordi per incollaggio metrici

ELBOW 90° REDUCED F-M/F
GOMITO 90° RIDOTTO F-M/F

Rev. Jul 2020



Code	d	E	d1	L	L1	B	H	PN	Weight (g)
RDRGYR032C	32	32	25	22	19	57	65	16	60
RDRGYR040D	40	40	32	26	22	69	79	16	90
RDRGYR050E	50	50	40	31	23	86	96	16	135
RDRGYR063F	63	63	50	38	32	103	120	16	220
RDRGYR075G	75	75	63	45	38	121	142	16	375

All descriptions and illustrations in this publication are intended for guidance only and shall not constitute a 'sale by description'. All dimensions given are nominal, while changes can be done on the information, products and specifications from time to time for a variety of reasons, without prior notice. The information in this publication is provided 'as is' on the revision date stated on the sheet. Updates will not be issued automatically. This information is not intended to have any legal effect, whether by way of advice, representation or warranty (express or implied). We accept no liability whatsoever (to the extent permitted by law) if you place any reliance on this publication you must do so at your own risk. All rights reserved. Copyright in this publication belongs to Polypipe Italia and all such copyright may not be used, sold, copied or reproduced in whole or part in any manner in any media to any person without prior consent. **EFFAST** is a registered trademark."