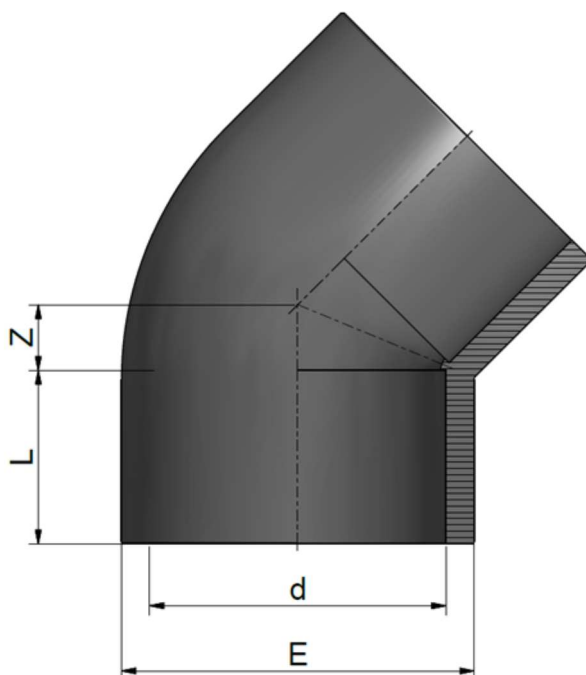


**PVC-U Solvent welded metric fittings**  
**PVC-U Raccordi per incollaggio metrici**

**ELBOW 45°**  
**GOMITO 45°**

Rev. Feb 2020



Code	d	L	Z	E	PN	Weight (g)	
RDRGYD0160	16	14	5	23	16	10	1
RDRGYD0200	20	17	4	28	16	17	1
RDRGYD0250	25	19	7	33	16	30	2
RDRGYD0320	32	22	8	41	16	47	2
RDRGYD0400	40	26	10	50	16	77	2
RDRGYD0500	50	32	11	62	16	115	2
RDRGYD0630	63	37	14	75	16	154	2
RDRGYD0750	75	43	17	88	16	310	2
RDRGYD0900	90	51	22	106	16	451	2
RDRGYD1100	110	61	24	128	16	835	1
RDRGYD1250	125	69	27	145	16	1080	1
RDRGYD1400	140	77	30	163	16	1640	1

Code	d	L	Z	E	PN	Weight (g)	
RDRGYD1600	160	87	35	185	16	2100	1
RDRGYD2000	200	106	42	232	16*	5000	
RDRGYD2250	225	119	48	258	16*	6200	
RDRGYD2500	250	131	57	288	10	7700	
RDRGYD2800	280	146	62	320	10	10460	
RDRGYD3150	315	164	66	359	10	15500	
RDRGYD3550	355	184	77	393	5	16000	
RDRGYD4000	400	206	83	439	5	20200	

\*Reduced safety factor / *Fattore di sicurezza ridotto*

Marks / Marchi:

1. KIWA UNI, KIWA, DVGW
2. KIWA UNI, KIWA, DVGW, NF



NSF and WRAS certifications: only for valves with EPDM seals. Certifications and approvals are related to items declared on Official Listing or certificates. /  
 Certificazioni NSF e WRAS: valide solo per le valvole con guarnizioni EPDM. Le certificazioni si riferiscono ai prodotti dichiarati nelle Official Listing o sui certificati stessi.

All descriptions and illustrations in this publication are intended for guidance only and shall not constitute a 'sale by description'. All dimensions given are nominal, while changes can be done on the information, products and specifications from time to time for a variety of reasons, without prior notice. The information in this publication is provided 'as is' on the revision date stated on the sheet. Updates will not be issued automatically. This information is not intended to have any legal effect, whether by way of advice, representation or warranty (express or implied). We accept no liability whatsoever (to the extent permitted by law) if you place any reliance on this publication you must do so at your own risk. All rights reserved. Copyright in this publication belongs to Polypipe Italia and all such copyright may not be used, sold, copied or reproduced in whole or part in any manner in any media to any person without prior consent. **EFFAST** is a registered trademark."