

PVC-U Solvent welded metric fittings

PVC-U Raccordi per incollaggio metrici

REDUCING BUSH

RIDUZIONE CORTA

Rev. Mar 2021

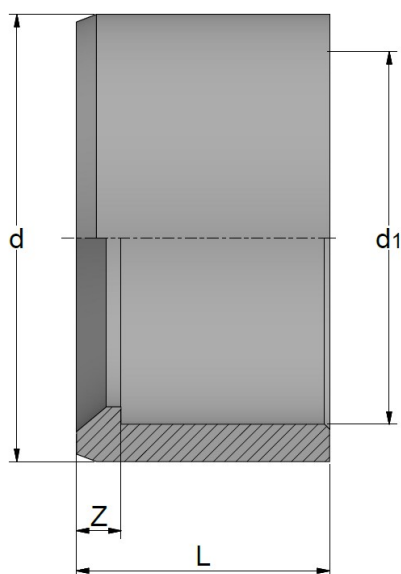


Fig. A

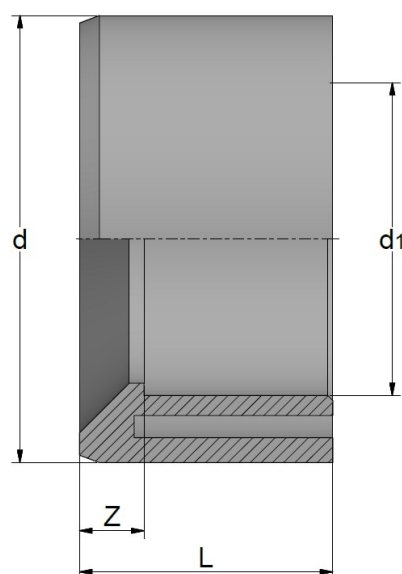


Fig. B

Code	Fig.	d	d1	L	Z	PN	Weight (g)
RDRRCD020A	A	20	16	16	2	16	3
RDRRCD025A	B	25	16	19	5	16	10
RDRRCD025B	A	25	20	19	3	16	6
RDRRCD032A	B	32	16	22	8	16	15
RDRRCD032B	A	32	20	22	6	16	15
RDRRCD032C	A	32	25	22	3	16	10
RDRRCD040B	B	40	20	26	10	16	29
RDRRCD040C	B	40	25	27	8	16	30
RDRRCD040D	A	40	32	26	4	16	16
RDRRCD050B	B	50	20	31	15	16	51
RDRRCD050C	B	50	25	31	12	16	45
RDRRCD050D	B	50	32	31	9	16	40
RDRRCD050E	A	50	40	31	5	16	30
RDRRCD063D	B	63	32	38	16	16	83
RDRRCD063E	B	63	40	37	11	16	78
RDRRCD063F	A	63	50	38	6	16	62
RDRRCD075E	B	75	40	44	18	16	125
RDRRCD075F	B	75	50	44	13	16	122
RDRRCD075G	A	75	63	44	6	16	80
RDRRCD090F	B	90	50	51	20	16	210
RDRRCD090G	B	90	63	51	13	16	195
RDRRCD090H	A	90	75	53	9	16	140
RDRRCD110G	B	110	63	61	23	16	372
RDRRCD110H	B	110	75	61	17	16	370

Code	Fig.	d	d1	L	Z	PN	Weight (g)
RDRRCD110I	A	110	90	61	10	16	275 3
RDRRCD125H	B	125	75	69	25	16	440
RDRRCD125I	B	125	90	69	18	16	373 3
RDRRCD125L	A	125	110	69	7	16	260 3
RDRRCD140I	B	140	90	76	25	16	600
RDRRCD140L	B	140	110	76	15	16	480
RDRRCD140M	A	140	125	76	7	16	320 3
RDRRCD160I	B	160	90	86	30	16	850
RDRRCD160L	B	160	110	86	26	16	725 3
RDRRCD160M	B	160	125	86	17	16	745
RDRRCD160N	A	160	140	86	10	16	710 3
RDRRCD200O	B	200	160	116	30	10	1370
RDRRCD200P	A	200	180	106	10	10	895
RDRRCD225O	B	225	160	119	33	10	1840
RDRRCD225Q	A	225	200	119	13	10	1360
RDRRCD250O	B	250	160	132	45	10	3100
RDRRCD250Q	B	250	200	106	26	10	2150
RDRRCD250R	A	250	225	132	12	12	1734
RDRRCD280R	B	280	225	147	27	10	4300
RDRRCD280S	A	280	250	147	15	15	2640
RDRRCD315Q	B	315	200	106	57	10	8650
RDRRCD315R	B	315	225	165	45	10	8100
RDRRCD315S	B	315	250	165	33	10	5080
RDRRCD315T	A	315	280	163	17	10	3600
RDRRCD355U	A	355	315	184	21	5	5500
RDRRCD400U	B	400	315	205	42	5	10200
RDRRCD400V	A	400	355	206	21	5	7500

Marks / Marchi:

1. NF
2. KIWA UNI, KIWA, DVGW, NF
3. KIWA UNI
4. KIWA UNI, KIWA



NSF and WRAS certifications: only for valves with EPDM seals. Certifications and approvals are related to items declared on Official Listing or certificates. /
 Certificazioni NSF e WRAS: valide solo per le valvole con guarnizioni EPDM. Le certificazioni si riferiscono ai prodotti dichiarati nelle Official Listing o sui certificati stessi.

All descriptions and illustrations in this publication are intended for guidance only and shall not constitute a 'sale by description'. All dimensions given are nominal, while changes can be done on the information, products and specifications from time to time for a variety of reasons, without prior notice. The information in this publication is provided 'as is' on the revision date stated on the sheet. Updates will not be issued automatically. This information is not intended to have any legal effect, whether by way of advice, representation or warranty (express or implied). We accept no liability whatsoever (to the extent permitted by law) if you place any reliance on this publication you must do so at your own risk. All rights reserved. Copyright in this publication belongs to Polypipe Italia and all such copyright may not be used, sold, copied or reproduced in whole or part in any manner in any media to any person without prior consent. **EFFAST** is a registered trademark.