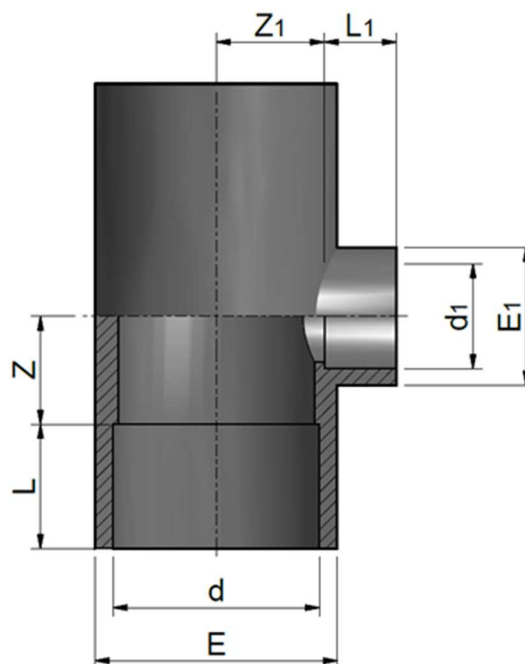


**PVC-U Solvent welded metric fittings**  
**PVC-U Raccordi per incollaggio metrici**

**TEE 90° REDUCED**  
**TI 90° RIDOTTO**

Rev. Jun 2020



Code	d	d1	L	L1	Z	Z1	E	E1	PN	Weight (g)
RDTRD020A	20	16	16	14	11	11	28	23	16	25
RDTRD025A	25	16	19	16	14	14	33	24	16	40
RDTRD025B	25	20	19	16	14	14	34	28	16	42
RDTRD032A	32	16	22	14	17	17	42	24	16	68
RDTRD032B	32	20	23	16	18	18	42	28	16	69
RDTRD032C	32	25	23	19	18	18	42	34	16	70
RDTRD040B	40	20	27	16	21	21	50	28	16	105
RDTRD040C	40	25	26	19	21	21	51	34	16	107
RDTRD040D	40	32	27	22	21	21	50	42	16	112
RDTRD050B	50	20	31	16	26	26	61	28	16	165
RDTRD050C	50	25	31	19	26	26	61	34	16	157
RDTRD050D	50	32	31	22	26	26	61	42	16	162
RDTRD050E	50	40	31	26	26	26	61	51	16	168
RDTRD063B	63	20	38	16	33	33	75	25	16	278
RDTRD063C	63	25	38	19	33	33	75	34	16	282
RDTRD063D	63	32	38	22	33	33	74	42	16	275
RDTRD063E	63	40	38	26	33	33	74	51	16	277
RDTRD063F	63	50	38	31	33	33	74	60	16	296
RDTRD075D	75	32	44	22	39	39	89	42	16	453
RDTRD075E	75	40	45	26	39	39	90	51	16	465
RDTRD075F	75	50	45	31	39	39	90	61	16	465
RDTRD075G	75	63	45	38	39	39	90	74	16	478
RDTRD090E	90	40	51	26	47	47	106	51	16	714
RDTRD090F	90	50	51	31	47	47	106	61	16	703

Code	d	d1	L	L1	Z	Z1	E	E1	PN	Weight (g)
RDTRD090G	90	63	51	39	47	47	106	75	16	713
RDTRD090H	90	75	51	43	47	47	106	90	16	730
RDTRD110F	110	50	61	31	57	57	129	61	16	1250
RDTRD110G	110	63	61	34	56	56	130	75	16	1318
RDTRD110H	110	75	61	44	56	56	130	90	16	1260
RDTRD110I	110	90	61	51	56	56	130	106	16	1295
RDTRD125G	125	63	69	44	66	66	148	75	16	1660
RDTRD125H	125	75	69	44	66	66	148	89	16	1700
RDTRD125I	125	90	74	52	64	64	145	106	16	1750
RDTRD125L	125	110	74	63	64	64	145	130	16	1830
RDTRD140H	140	75	76	44	72	72	163	89	16	2267
RDTRD140I	140	90	76	51	72	72	163	106	16	2490
RDTRD140L	140	110	76	61	72	72	163	129	16	2560
RDTRD140M	140	125	76	69	72	72	163	148	16	2590
RDTRD160I	160	90	89	51	81	81	187	106	16	3750
RDTRD160L	160	110	89	61	81	81	187	130	16	3800
RDTRD160M	160	125	86	69	82	82	184	148	16	3890
RDTRD160N	160	140	86	76	82	82	184	163	16	3940
RDTRD180L	180	110	96	62	94	93	209	135	10	5550
RDTRD200I	200	90	106	52	58	102	225	112	10	5200
RDTRD200L	200	110	106	63	58	113	228	137	10	5200
RDTRD200O	200	160	106	87	87	103	228	185	10	6200
RDTRD225L	225	110	119,5	63	58	114	258	135	10	6600
RDTRD225O	225	160	119,5	88	84	115	258	193	10	8300
RDTRD250L	250	110	133	63	58	128	284	134	10	8300
RDTRD250O	250	160	131	87	86	129	284	189	10	9900
RDTRD250Q	250	200	131	106	133	132	284	228	10	12100
RDTRD280O	280	160	146	88	84	153	320	193	10	12500
RDTRD280R	280	225	146	117,5	117	148,5	320	258	10	15200
RDTRD315I	315	90	164	51	62	158	355	112	10	14300
RDTRD315L	315	110	164	62	62	158	355	135	8	14350
RDTRD315O	315	160	164	86	83	161	355	193	8	15150
RDTRD315Q	315	200	164	106	105	158	355	228	8	16600
RDTRD315R	315	225	164	118,5	128	162	355	259	8	17500
RDTRD315S	315	250	164	131	127	160	355	285	8	19300
RDTRD400L	400	110	206	61	55	200	438	134	8	17800
RDTRD400U	400	315	206	165	280	302	434	352	4	38700

All descriptions and illustrations in this publication are intended for guidance only and shall not constitute a 'sale by description'. All dimensions given are nominal, while changes can be done on the information, products and specifications from time to time for a variety of reasons, without prior notice. The information in this publication is provided 'as is' on the revision date stated on the sheet. Updates will not be issued automatically. This information is not intended to have any legal effect, whether by way of advice, representation or warranty (express or implied). We accept no liability whatsoever (to the extent permitted by law) if you place any reliance on this publication you must do so at your own risk. All rights reserved. Copyright in this publication belongs to Polypipe Italia and all such copyright may not be used, sold, copied or reproduced in whole or part in any manner in any media to any person without prior consent. **EFFAST** is a registered trademark."