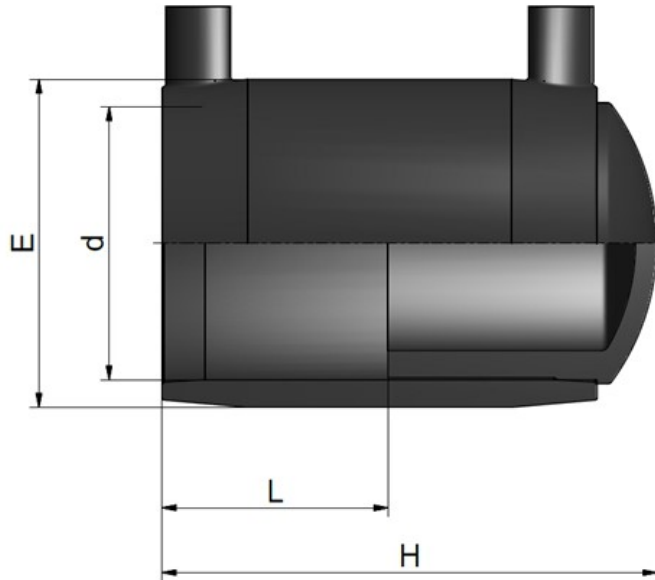


PE 100 Electrofusion fittings
PE 100 Raccordi elettrosaldabili

CAP
CALOTTA

Rev. Jun 2019
 FN5041



Code	d	E	L	H	PN	Weight (g)
REPCAD0200	20	29	37,5	82	16	40
REPCAD0250	25	33,5	37,5	82	16	50
REPCAD0320	32	43	37,5	84	16	80
REPCAD0400	40	51,5	44	97	16	110
REPCAD0500	50	61,5	44	101	16	140
REPCAD0630	63	77	49	115	16	230
REPCAD0750	75	92	59	133	16	390
REPCAD0900	90	110	60	138	16	530
REPCAD1100	110	133	70	164	16	890
REPCAD1250	125	151	75	175	16	1220
REPCAD1400	140	172	79	236	16	2250
REPCAD1600	160	195	86	202	16	2240
REPCAD1800	180	220	91	214	16	3130
REPCAD2000	200	243	92	215	16	4020
REPCAD2250	225	270	109	222	16	7000
REPCAD2500	250	295	108	220	16	8100

All descriptions and illustrations in this publication are intended for guidance only and shall not constitute a 'sale by description'. All dimensions given are nominal, while changes can be done on the information, products and specifications from time to time for a variety of reasons, without prior notice. The information in this publication is provided 'as is' on the revision date stated on the sheet. Updates will not be issued automatically. This information is not intended to have any legal effect, whether by way of advice, representation or warranty (express or implied). We accept no liability whatsoever (to the extent permitted by law) if you place any reliance on this publication you must do so at your own risk. All rights reserved. Copyright in this publication belongs to Polypipe Italia and all such copyright may not be used, sold, copied or reproduced in whole or part in any manner in any media to any person without prior consent. **EFFAST** is a registered trademark."