

## PP Flanges

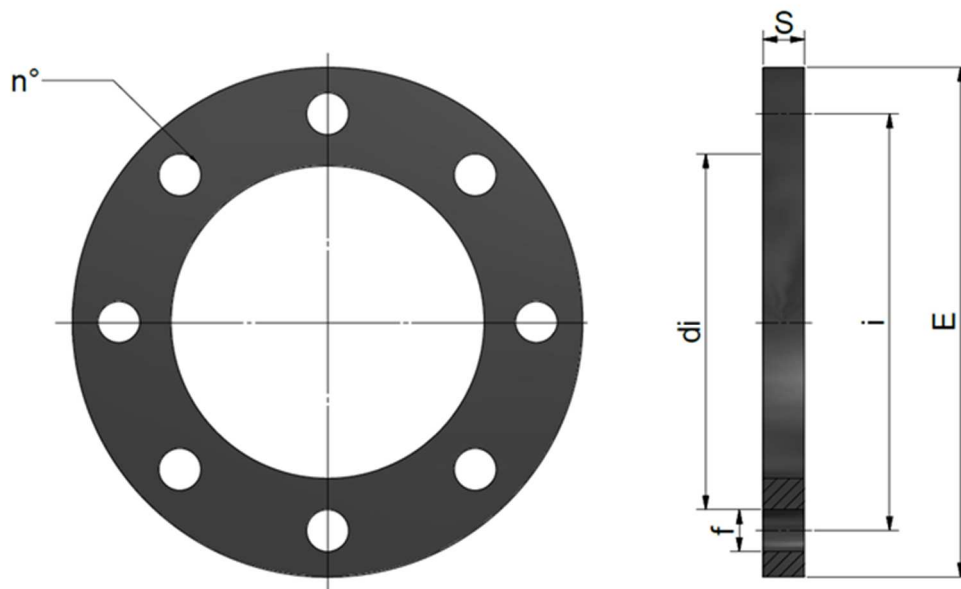
### PP Flange

#### BACKING RING REINFORCED PP BLACK FOR PE STUB FLANGE WITH STEEL INSERT FLANGIA LIBERA IN ACCIAIO RIVESTITA IN PP BLACK PER CARTELLE IN PE

Rev. Jul 2020

FN5041

- PP glass fiber 30% reinforced with steel insert / *PP rinforzato fibra vetro 30% e inserto in acciaio*
- Dimensions: ISO 7005, EN 1092, BS 4504, DIN 2501 / *Dimensioni: ISO 7005, EN 1092, BS 4504, DIN 2501*
- Compatible with PE stub flanges and PP-H long spigot stub flanges / *Compatibili con collari in PE e collari in PP-H a codolo lungo*



Code	DN	di	i	E	S	f	n	PN	Weight (g)
REPFLZ0500	40	62	110	150	18	18	4	16	810
REPFLZ0630	50	78	125	165	18	18	4	16	1090
REPFLZ0750	65	92	145	185	18	18	4	16	1380
REPFLZ0900	80	108	160	200	18	18	8	16	1310
REPFLZ1100	100	128	180	220	18	18	8	16	1370
REPFLZ1250	100	135	180	220	18	18	8	16	1370
REPFLZ1400	125	158	210	250	24	18	8	16	2060
REPFLZ1600	150	178	240	285	24	22	8	16	2840
REPFLZ1800	150	188	240	285	24	22	8	16	2800
REPFLZ2000	200	235	295	340	24	22	8	10	3470
REPFLZ2250	200	238	295	340	26	22	8	10	3520

All descriptions and illustrations in this publication are intended for guidance only and shall not constitute a 'sale by description'. All dimensions given are nominal, while changes can be done on the information, products and specifications from time to time for a variety of reasons, without prior notice. The information in this publication is provided 'as is' on the revision date stated on the sheet. Updates will not be issued automatically. This information is not intended to have any legal effect, whether by way of advice, representation or warranty (express or implied). We accept no liability whatsoever (to the extent permitted by law) if you place any reliance on this publication you must do so at your own risk. All rights reserved. Copyright in this publication belongs to Polypipe Italia and all such copyright may not be used, sold, copied or reproduced in whole or part in any manner in any media to any person without prior consent. **EFFAST** is a registered trademark."