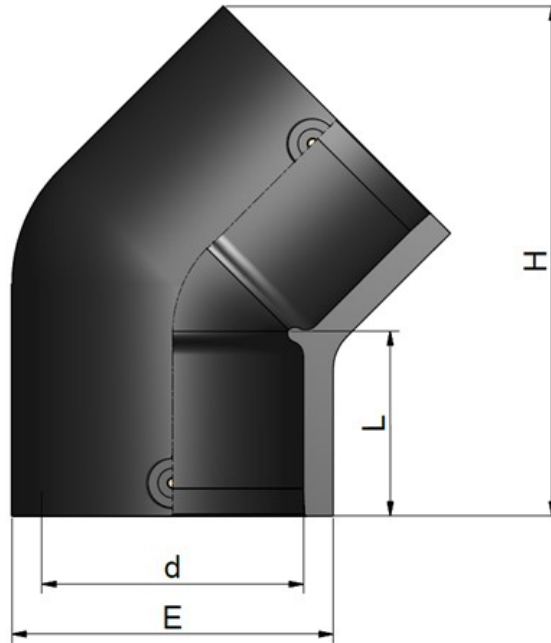


**PE 100 Electrofusion fittings**  
**PE 100 Raccordi elettrosaldabili**

**45° ELBOW**  
**GOMITO 45°**

Rev. Jun 2019  
 FN5041



Code	d	E	L	H	PN	Weight (g)
REPGYD0320	32	44	40	99	16	80
REPGYD0400	40	53	41,5	108	16	100
REPGYD0500	50	63	44,5	124	16	130
REPGYD0630	63	78,5	50	137	16	230
REPGYD0750	75	94	53	153	16	350
REPGYD0900	90	117	60	177	16	550
REPGYD1100	110	137	75	213	16	930
REPGYD1250	125	154	79	240	16	1250
REPGYD1600	160	201	89	283	16	4500
REPGYD1800	180	222	90	299	16	3130

All descriptions and illustrations in this publication are intended for guidance only and shall not constitute a 'sale by description'. All dimensions given are nominal, while changes can be done on the information, products and specifications from time to time for a variety of reasons, without prior notice. The information in this publication is provided 'as is' on the revision date stated on the sheet. Updates will not be issued automatically. This information is not intended to have any legal effect, whether by way of advice, representation or warranty (express or implied). We accept no liability whatsoever (to the extent permitted by law) if you place any reliance on this publication you must do so at your own risk. All rights reserved. Copyright in this publication belongs to Polypipe Italia and all such copyright may not be used, sold, copied or reproduced in whole or part in any manner in any media to any person without prior consent. **EFFAST** is a registered trademark."