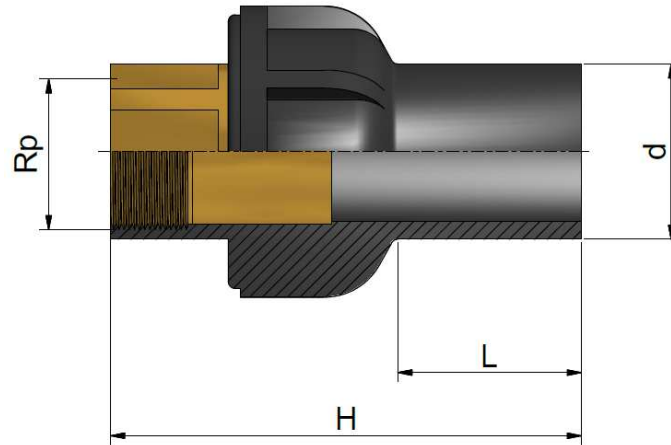


PE 100 Adaptor fittings metric - BSP

PE 100 Raccordi di passaggio metrico - BSP

FEMALE BRASS THREADED ADAPTOR ADATTATORE OTTONE FILETTATO FEMMINA

Rev. Jul 2020



Code	d	R	L	H	PN	Weight (g)
REPMAF020B	20	1/2"	38	82	16	220
REPMAF025C	25	3/4"	40	91	16	250
REPMAF032D	32	1"	44	100	16	450
REPMAF040E	40	1"1/4	49	109	16	400
REPMAF050F	50	1"1/2	54	124	16	400
REPMAF063G	63	2"	63	141	16	500
REPMAF075H	75	2"1/2	73	163	16	800
REPMAF090I	90	3"	82	181	16	1000
REPMAF110L	110	4"	84	190	16	1600

All descriptions and illustrations in this publication are intended for guidance only and shall not constitute a 'sale by description'. All dimensions given are nominal, while changes can be done on the information, products and specifications from time to time for a variety of reasons, without prior notice. The information in this publication is provided 'as is' on the revision date stated on the sheet. Updates will not be issued automatically. This information is not intended to have any legal effect, whether by way of advice, representation or warranty (express or implied). We accept no liability whatsoever (to the extent permitted by law) if you place any reliance on this publication you must do so at your own risk. All rights reserved. Copyright in this publication belongs to Polypipe Italia and all such copyright may not be used, sold, copied or reproduced in whole or part in any manner in any media to any person without prior consent. **EFFAST** is a registered trademark."