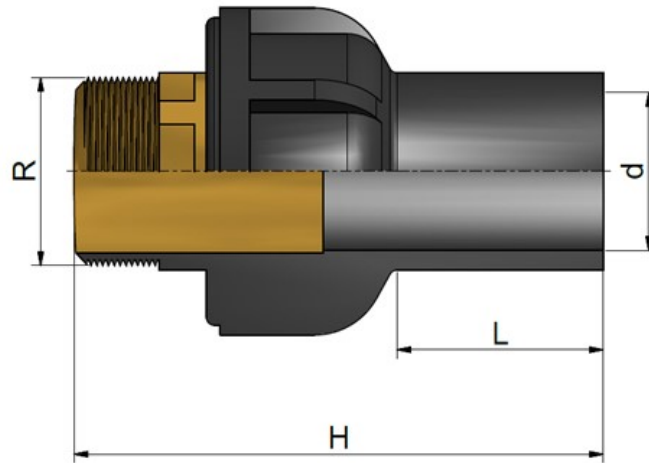


PE 100 Adaptor fittings metric - BSP
PE 100 Raccordi di passaggio metrico - BSP

MALE BRASS THREADED ADAPTOR
ADATTATORE OTTONE FILETTATO MASCHIO

Rev. Jul 2019



Code	d	R	L	H	PN	Weight (g)
REPMAM020B	20	1/2"	38	92	16	220
REPMAM025C	25	3/4"	40	99	16	250
REPMAM032D	32	1"	44	110	16	450
REPMAM040E	40	1"1/4	49	121	16	400
REPMAM050F	50	1"1/2	54	134	16	400
REPMAM063G	63	2"	63	150	16	5800
REPMAM075H	75	2"1/2	73	185	16	800
REPMAM090I	90	3"	82	181	16	1000
REPMAM110L	110	4"	84	164	16	1600

All descriptions and illustrations in this publication are intended for guidance only and shall not constitute a 'sale by description'. All dimensions given are nominal, while changes can be done on the information, products and specifications from time to time for a variety of reasons, without prior notice. The information in this publication is provided 'as is' on the revision date stated on the sheet. Updates will not be issued automatically. This information is not intended to have any legal effect, whether by way of advice, representation or warranty (express or implied). We accept no liability whatsoever (to the extent permitted by law) if you place any reliance on this publication you must do so at your own risk. All rights reserved. Copyright in this publication belongs to Polypipe Italia and all such copyright may not be used, sold, copied or reproduced in whole or part in any manner in any media to any person without prior consent. **EFFAST** is a registered trademark."