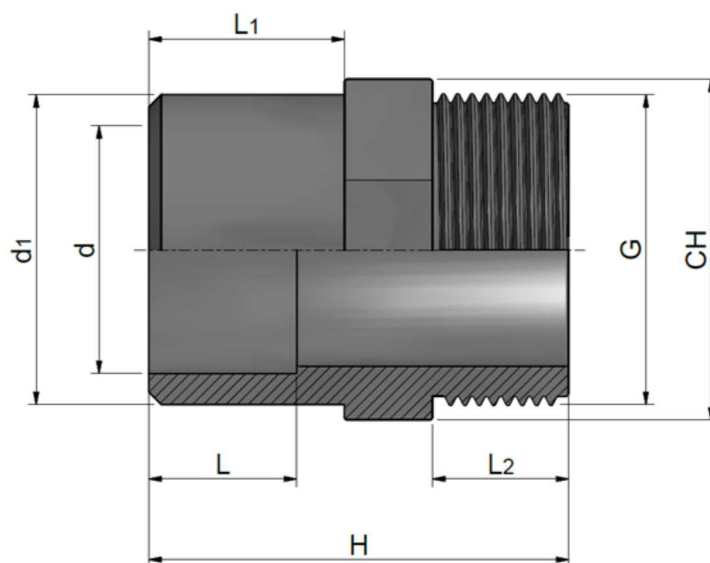


## PVC-U Adaptor fittings, metric - BSPP

### PVC-U Raccordi di passaggio, metrico - BSPP

#### MALE ADAPTOR ADATTATORE MASCHIO

Rev. Jun 2019



Code	d	d1	G	L	L1	L2	H	CH	PN	Weight (g)
RGRAMG012A	12	16	3/8"	12	14	11,4	35	19	16	9
RGRAMG016A	16	20	3/8"	14	16	11,4	40	24	16	10
RGRAMG016B	16	20	1/2"	14	16	15	43	24	16	11
RGRAMG020A	20	25	3/8"	16	19	11,4	43	30	16	15
RGRAMG020B	20	25	1/2"	16	19	15	46	30	16	16
RGRAMG020C	20	25	3/4"	16	19	16,3	47	30	16	18
RGRAMG025B	25	32	1/2"	19	22	15	49	36	16	25
RGRAMG025C	25	32	3/4"	19	22	16,3	50	36	16	26
RGRAMG025D	25	32	1"	19	22	19,1	53	36	16	27
RGRAMG032B	32	40	1/2"	22	26	15	53	46	16	35
RGRAMG032C	32	40	3/4"	22	26	16,3	54	46	16	43
RGRAMG032D	32	40	1"	22	26	19,1	57	46	16	42
RGRAMG032E	32	40	1 1/4"	22	26	21,4	60	46	16	47
RGRAMG040D	40	50	1"	26	31	19,1	64	55	16	70
RGRAMG040E	40	50	1 1/4"	26	31	21,4	67	55	16	74
RGRAMG040F	40	50	1 1/2"	26	31	21,4	67	55	16	70
RGRAMG050E	50	63	1 1/4"	32	38	21,4	74	65	16	116

Code	d	d1	G	L	L1	L2	H	CH	PN	Weight (g)
RGRAMG050F	50	63	1"1/2	32	38	21,4	74	65	16	113
RGRAMG050G	50	63	2"	32	38	25,7	78	65	16	119
RGRAMG063F	63	75	1"1/2	38	44	21,4	84	80	16	182
RGRAMG063G	63	75	2"	38	44	25,7	88	80	16	185
RGRAMG063H	63	75	2"1/2	38	44	30,2	93	80	16	189
RGRAMG075G	75	90	2"	44	51	25,7	95	95	16	279
RGRAMG075H	75	90	2"1/2	44	51	30,2	100	95	16	281
RGRAMG075I	75	90	3"	44	51	33,5	103	95	16	298
RGRAMG090H	90	110	2"1/2	51	61	30,2	110	115	16	476
RGRAMG090I	90	110	3"	51	61	33,5	113	115	16	483
RGRAMG090L	90	110	4"	51	61	39,3	118	115	16	485
RGRAMG110I	110	125	3"	61	68,5	33,5	116	130	16	511
RGRAMG110L	110	125	4"	61	68,5	39,3	121	130	16	506
RGRAMG110M	110	125	5"	61	68,5	43,6	125	130	16	588

Thread according to ISO 228-1 / Filettatura secondo ISO 228-1



NSF and WRAS certifications: only for valves with EPDM seals. Certifications and approvals are related to items declared on Official Listing or certificates. /  
 Certificazioni NSF e WRAS: valide solo per le valvole con guarnizioni EPDM. Le certificazioni si riferiscono ai prodotti dichiarati nelle Official Listing o sui certificati stessi.

All descriptions and illustrations in this publication are intended for guidance only and shall not constitute a 'sale by description'. All dimensions given are nominal, while changes can be done on the information, products and specifications from time to time for a variety of reasons, without prior notice. The information in this publication is provided 'as is' on the revision date stated on the sheet. Updates will not be issued automatically. This information is not intended to have any legal effect, whether by way of advice, representation or warranty (express or implied). We accept no liability whatsoever (to the extent permitted by law) if you place any reliance on this publication you must do so at your own risk. All rights reserved. Copyright in this publication belongs to Polypipe Italia and all such copyright may not be used, sold, copied or reproduced in whole or part in any manner in any media to any person without prior consent. **EFFAST** is a registered trademark."