

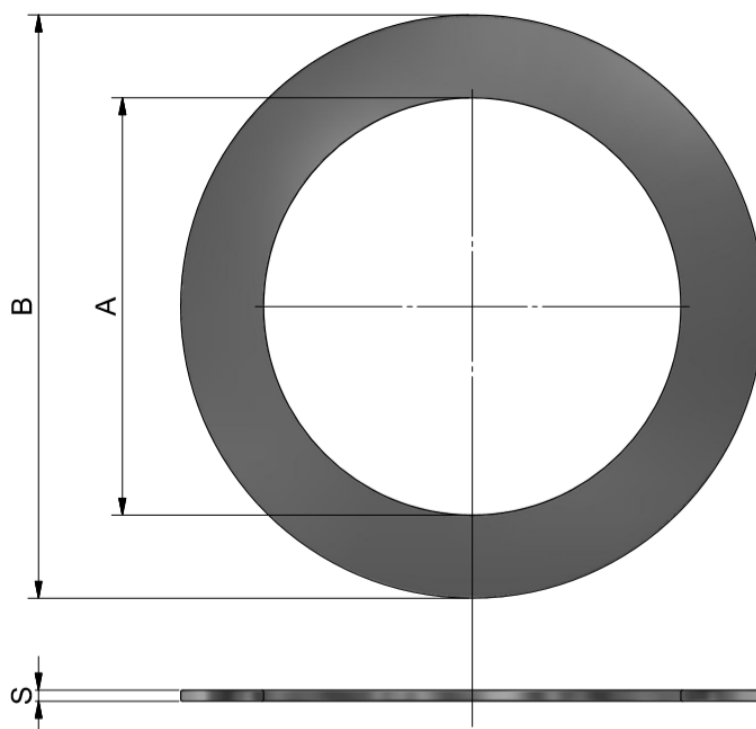
Accessories and spare parts

Accessori e ricambi

FLAT GASKET - EPDM

GUARNIZIONE PIANA - EPDM

Rev Apr 2020



Code EPDM	d	A	B	S
RGRGQP0200	20 - 1/2"	20	32	2
RGRGQP0250	25 - 3/4"	24	38,5	2
RGRGQP0320	32 - 1"	32	48	2
RGRGQP0400	40 - 1 1/4"	40	59	2
RGRGQP0500	50 1 1/2"	50	71	2
RGRGQP0630	63 - 2"	63	88	2
RGRGQP0750	75 - 2 1/2"	75	104	2
RGRGQP0900	90 - 3"	90	123	2
RGRGQP1100	110 - 4"	110	148	3
RGRGQP1250	125	125	166	3
RGRGQP1400	140	140	186	3
RGRGQP1600	160 - 6"	160	211	3
RGRGQP2000	200	200	252	3
RGRGQP2250	225 - 8"	225	269	3
RGRGQP2500	250	250	306	3
RGRGQP2800	280 - 10"	280	327	3
RGRGQP3150	315 - 12"	315	375	3

All descriptions and illustrations in this publication are intended for guidance only and shall not constitute a 'sale by description'. All dimensions given are nominal, while changes can be done on the information, products and specifications from time to time for a variety of reasons, without prior notice. The information in this publication is provided 'as is' on the revision date stated on the sheet. Updates will not be issued automatically. This information is not intended to have any legal effect, whether by way of advice, representation or warranty (express or implied). We accept no liability whatsoever (to the extent permitted by law) if you place any reliance on this publication you must do so at your own risk. All rights reserved. Copyright in this publication belongs to Polypipe Italia and all such copyright may not be used, sold, copied or reproduced in whole or part in any manner in any media to any person without prior consent. **EFFAST** is a registered trademark."