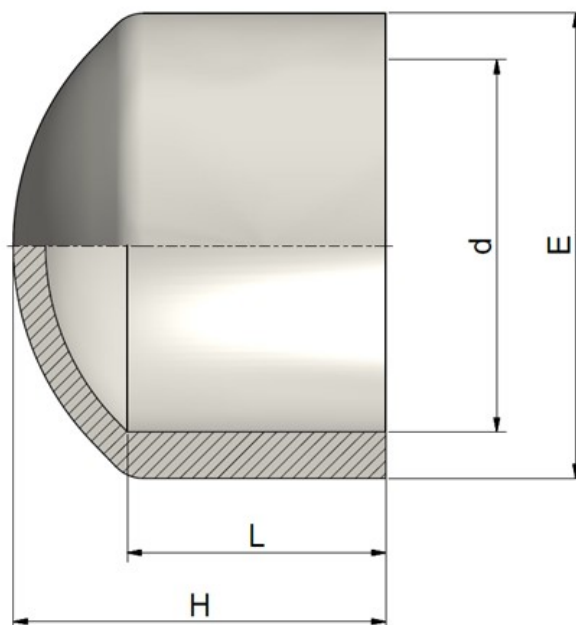


PP-H Fittings for socket fusion jointing

PP-H Raccordi per saldatura nel bicchiere

CAP CALOTTA

Rev. Jun 2019



Code	d	L	Z	E	PN	Weight (g)
RHPCAH0200	20	16,5	27	30,5	10	9
RHPCAH0250	25	18,5	30	36	10	13
RHPCAH0320	32	20,5	34	43,5	10	22
RHPCAH0400	40	22,5	38	53,5	10	33
RHPCAH0500	50	25,5	44	66	10	52
RHPCAH0630	63	30	51	82	10	86
RHPCAH0750	75	32	67	98	10	160
RHPCAH0900	90	37	77	119	10	273
RHPCAH1100	110	42,5	93	133,5	10	419

All descriptions and illustrations in this publication are intended for guidance only and shall not constitute a 'sale by description'. All dimensions given are nominal, while changes can be done on the information, products and specifications from time to time for a variety of reasons, without prior notice. The information in this publication is provided 'as is' on the revision date stated on the sheet. Updates will not be issued automatically. This information is not intended to have any legal effect, whether by way of advice, representation or warranty (express or implied). We accept no liability whatsoever (to the extent permitted by law) if you place any reliance on this publication you must do so at your own risk. All rights reserved. Copyright in this publication belongs to Polypipe Italia and all such copyright may not be used, sold, copied or reproduced in whole or part in any manner in any media to any person without prior consent. **EFFAST** is a registered trademark."