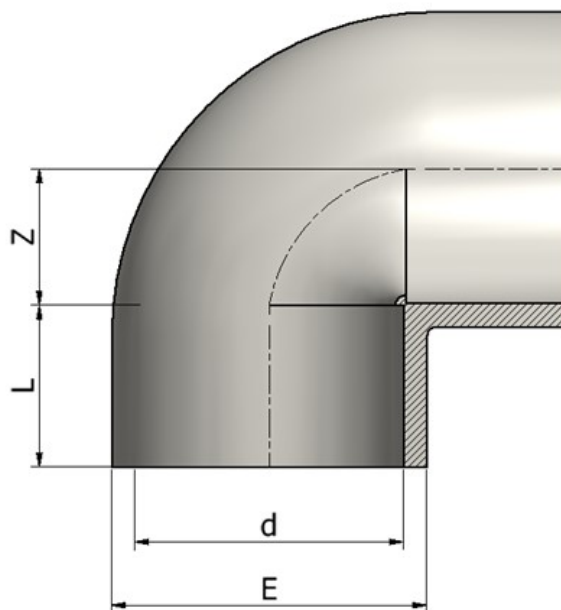


PP-H Fittings for socket fusion jointing

PP-H Raccordi per saldatura nel bicchiere

ELBOW 90° GOMITO 90°

Rev. Jun 2019



Code	d	L	Z	E	PN	Weight (g)
RHPGOH0200	20	16	11	29,5	10	17
RHPGOH0250	25	18	14	36	10	28
RHPGOH0320	32	20	18	43,5	10	45
RHPGOH0400	40	22	22	53	10	70
RHPGOH0500	50	25	27	66	10	130
RHPGOH0630	63	30	32,5	82	10	230
RHPGOH0750	75	32	39	93	10	288
RHPGOH0900	90	36,5	46	111	10	476
RHPGOH1100	110	43	57	134	10	805

All descriptions and illustrations in this publication are intended for guidance only and shall not constitute a 'sale by description'. All dimensions given are nominal, while changes can be done on the information, products and specifications from time to time for a variety of reasons, without prior notice. The information in this publication is provided 'as is' on the revision date stated on the sheet. Updates will not be issued automatically. This information is not intended to have any legal effect, whether by way of advice, representation or warranty (express or implied). We accept no liability whatsoever (to the extent permitted by law) if you place any reliance on this publication you must do so at your own risk. All rights reserved. Copyright in this publication belongs to Polypipe Italia and all such copyright may not be used, sold, copied or reproduced in whole or part in any manner in any media to any person without prior consent. **EFFAST** is a registered trademark."